



PRODUCT FEATURES KS4

- For natural ventilation, smoke and heat exhausting systems and ferralux® NRWG (EN12101-2)
- Aluminium housing anodized or optionally in RAL colors
- High-quality stainless steel sidebow roller chain, without protruding rivet heads
- Slim line body that suits concealed fitting within profiles
- Rigid drive mounting on frame without brackets
- Feedback limit position „CLOSE“ (max. 24 V, 500 mA)
- Programmable parameters of Intelligent Control Electronics S12:
 - Feedback limit position „OPEN“ (max. 24 V, 500 mA)
 - Synchronised multi-operation and sequence control without add. devices
 - Electronic soft-start, soft-close and soft-stop at end of stroke control
 - Stroke, force, speed
 - Rebate control
- Integrated plug solution
- Compatible with the plug-in configuration modulel M-COM® Click

For this product series, a Type III Environmental Product Declaration (EPD) was issued according to ISO 14025 and EN 15804.

The LCA results of the different product types are listed at the end of this product catalogue.

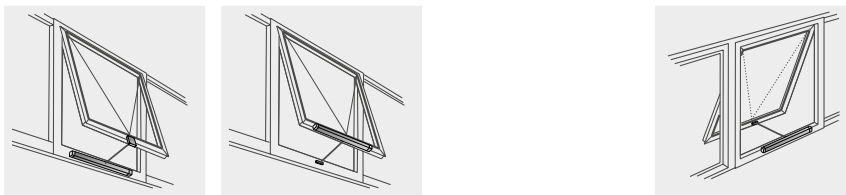
The EPD documents can be viewed or downloaded from our homepage www.aumueller-gmbh.de.

FACADE

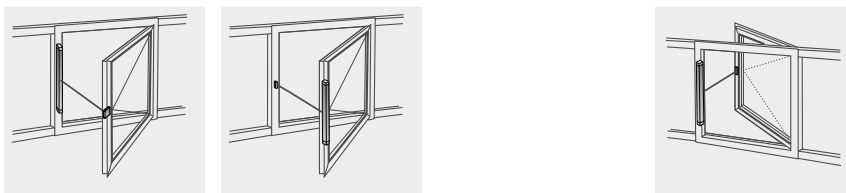
Bottom-hung



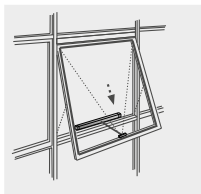
Top-hung



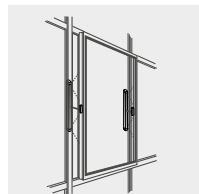
Side-hung

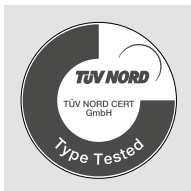


Friction hinged



Parallel outward opening





- Application: natural ventilation, RWA, ferralux®-NRWG
- Internal Intelligent Control Electronics S12
- Feedback limit position „CLOSE“ (max. 24 V, 500 mA)

Equipment

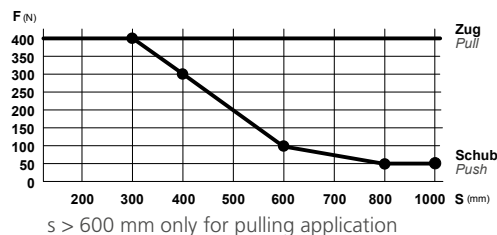
- Additional **AUMÜLLER-Click plug set** for multi-drive operation

Options

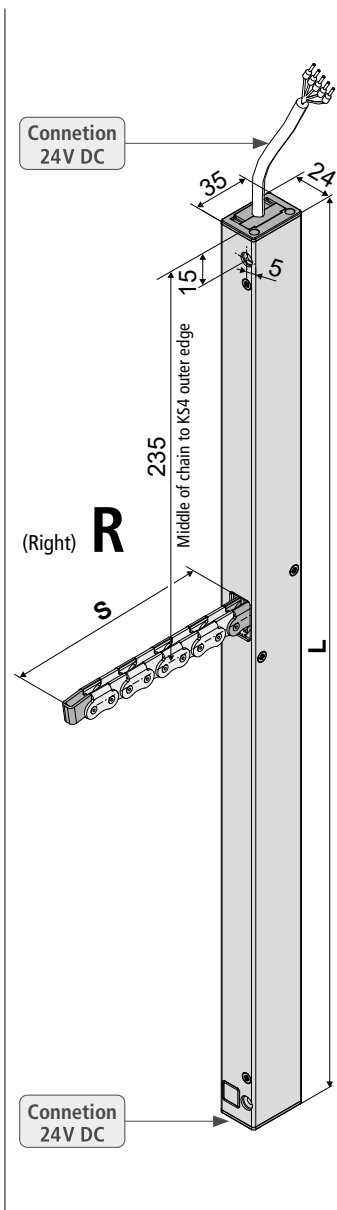
- Programmable special functions
- Programmable feedback limit position „OPEN“ (max. 24 V, 500 mA)
- M-COM for automatic synchronised run of multi drive systems and automatic sequence control with locking drives (S3 / S12)

TECHNICAL DATA

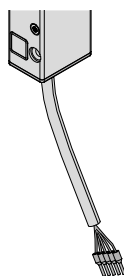
U_N	Rated voltage	24 V DC (19 V ... 28 V)
I_N	Rated current	0,9 A
I_A	Cut-off current	1,2 A
P_N	Rated power	22 W
DC	Duty cycle	5 cycles (ED 30 % - ON: 3 min./OFF: 7 min.)
	Protection rating	IP 32
	Ambient temperature range	-5 °C ... +60 °C
F_Z	Pulling force max.	400 N
F_A	Pushing force max.	



F_H	Pullout force	1.800 N (fastening depended)
	Chain	Stainless steel, without protruding rivet heads. Simple connection to casement brackets. Small bending radii allow maximum opening angles of small windows.
	Connecting cable	non-halogen, grey 5 x 0,5 mm ² , ~ 2 m
v	Speed	$s \leq 400$ 8,0 mm/s 8,0 mm/s $s > 400 - 600$ 12,0 mm/s 8,0 mm/s $s > 600$ 13,5 mm/s 8,0 mm/s
s	Stroke	50 – 1000 mm
L	Length	see order data
	Feedback contact	limit position „CLOSE“ (max. 24 V, 500 mA)
	Sound pressure level	≤ 70 dB (A)



OPTION

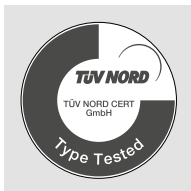


AUMÜLLER chain drives have an integrated cable routing with connection sockets on both housing ends. This enables the following options:

- **AUMÜLLER-Click plug solution** with various cable lengths
Part.-No.: 501251 - 3 m cable length / 501252 - 5 m cable length / 501253 - 10 m cable length
- Series connection of several drives into multi drive systems
- Power supply from both sides

ORDER DATA						
s [mm]	L [mm]	Version	Finish	PU / pcs.	Part.-No.	
200	455	KS4 200 S12 24V R	E6/C-0	1	522020	
300	551	KS4 300 S12 24V R	E6/C-0	1	522030	
400	551	KS4 400 S12 24V R	E6/C-0	1	522040	
500	665	KS4 500 S12 24V R	E6/C-0	1	522050	
600	665	KS4 600 S12 24V R	E6/C-0	1	522060	
800	755	KS4 800 S12 24V R	E6/C-0	1	522080	
1000	868	KS4 1000 S12 24V R	E6/C-0	1	522000	

OPTIONS			
Special model	PU / pcs.	Part.-No.	
Drive housing painted/powder coated in other RAL colours			
Lump sum for coating		516030	
Specify at order stage:	1 – 20	516004	
	21 – 50	516004	
	51 – 100	516004	
	from 101	516004	
Plug solution:			
AUMÜLLER-Click plug solution - 3 m – non-halogen, grey – 5 x 0,5 mm²		501251	
AUMÜLLER-Click plug solution - 5 m – non-halogen, grey – 5 x 0,5 mm²		501252	
AUMÜLLER-Click plug solution - 10 m – non-halogen, grey – 5 x 0,5 mm²		501253	
Microprocessor programming S12			
Electronic stroke reduction 24V S12		524190	
Programming drives 24V / 230V S12		524180	
Optional accessories	PU / pcs.	Part.-No.	
M-COM® Click Configuration module for synchronised multi-drive systems	1	524167	
M-COM Configuration module for synchronised multi-drive systems	1	524177	



- Application: natural ventilation, RWA, ferralux®-NRWG
- Internal Intelligent Control Electronics S12
- Feedback limit position „CLOSE“ (max. 24 V, 500 mA)

Equipment

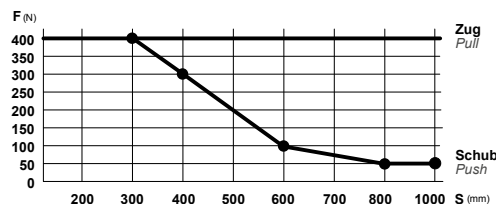
- Additional **AUMÜLLER-Click plug set** for multi-drive operation

Options

- Programmable special functions
- Programmable feedback limit position „OPEN“ (max. 24 V, 500 mA)
- M-COM for automatic synchronised run of multi drive systems and automatic sequence control with locking drives (S3 / S12)

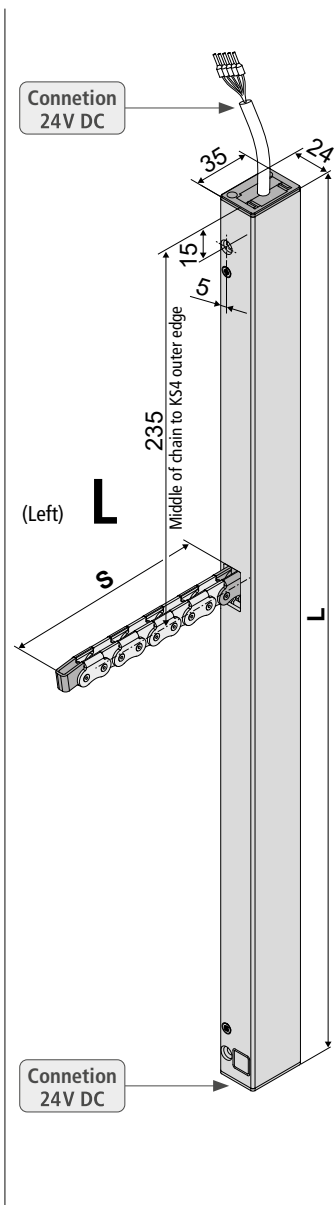
TECHNICAL DATA

U_N	Rated voltage	24 V DC (19 V ... 28 V)
I_N	Rated current	0,9 A
I_A	Cut-off current	1,2 A
P_N	Rated power	22 W
DC	Duty cycle	5 cycles (ED 30 % - ON: 3 min./OFF: 7 min.)
	Protection rating	IP 32
	Ambient temperature range	-5 °C ... +60 °C
F_Z	Pulling force max.	400 N
F_A	Pushing force max.	

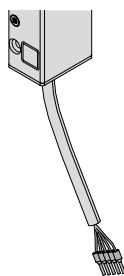


s > 600 mm only for pulling application

F_H	Pullout force	1.800 N (fastening depended)
	Chain	Stainless steel, without protruding rivet heads. Simple connection to casement brackets. Small bending radii allow maximum opening angles of small windows.
	Connecting cable	non-halogen, grey 5 x 0,5 mm ² , ~ 2 m
v	Speed	$s \leq 400$ 8,0 mm/s 8,0 mm/s $s > 400 - 600$ 12,0 mm/s 8,0 mm/s $s > 600$ 13,5 mm/s 8,0 mm/s
s	Stroke	50 – 1000 mm
L	Length	see order data
	Feedback contact	limit position „CLOSE“ (max. 24 V, 500 mA)
	Sound pressure level	≤ 70 dB (A)



OPTION

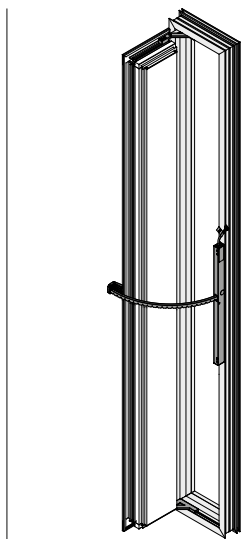
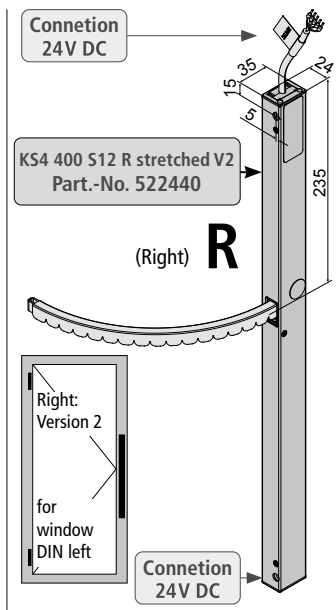
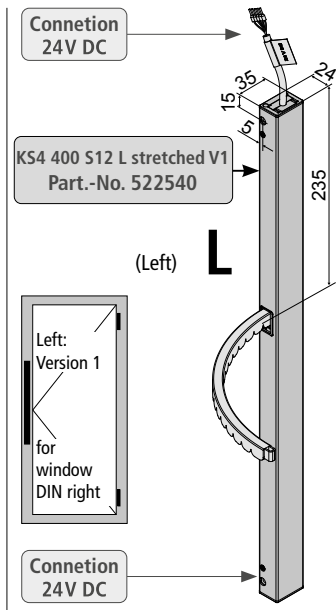


AUMÜLLER chain drives have an integrated cable routing with connection sockets on both housing ends. This enables the following options:

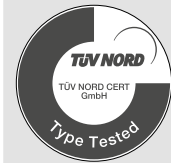
- **AUMÜLLER-Click plug solution** with various cable lengths
Part.-No.: 501251 - 3 m cable length / 501252 - 5 m cable length / 501253 - 10 m cable length
- Series connection of several drives into multi drive systems
- Power supply from both sides

ORDER DATA						
s [mm]	L [mm]	Version	Finish	PU / pcs.	Part.-No.	
200	455	KS4 200 S12 24V L	E6/C-0	1	520120	
300	551	KS4 300 S12 24V L	E6/C-0	1	520130	
400	551	KS4 400 S12 24V L	E6/C-0	1	520140	
500	665	KS4 500 S12 24V L	E6/C-0	1	520150	
600	665	KS4 600 S12 24V L	E6/C-0	1	520160	
800	755	KS4 800 S12 24V L	E6/C-0	1	520180	
1000	868	KS4 1000 S12 24V L	E6/C-0	1	520100	

OPTIONS			
Special model	PU / pcs.	Part.-No.	
Drive housing painted/powder coated in other RAL colours			
Lump sum for coating		516030	
Specify at order stage:	1 – 20	516004	
	21 – 50	516004	
	51 – 100	516004	
	from 101	516004	
Plug solution:			
AUMÜLLER-Click plug solution - 3 m – non-halogen, grey – 5 x 0,5 mm²		501251	
AUMÜLLER-Click plug solution - 5 m – non-halogen, grey – 5 x 0,5 mm²		501252	
AUMÜLLER-Click plug solution - 10 m – non-halogen, grey – 5 x 0,5 mm²		501253	
Microprocessor programming S12			
Electronic stroke reduction 24V S12		524190	
Programming drives 24V / 230V S12		524180	
Optional accessories	PU / pcs.	Part.-No.	
M-COM® Click Configuration module for synchronised multi-drive systems	1	524167	
M-COM Configuration module for synchronised multi-drive systems	1	524177	



Attached assembly



- Flexible „side bow chain“ for narrow high windows
- Attached assembly with casement bracket F42
- Application: natural ventilation, RWA, ferralux®-NRWG
- Internal Intelligent Control Electronics S12
- Feedback limit position „CLOSE“ (max. 24 V, 500 mA)




Equipment

- Additional **AUMÜLLER-Click plug set** for multi-drive operation

Options

- Programmable special functions
- Programmable feedback limit position „OPEN“ (max. 24 V, 500 mA)
- M-COM for automatic synchronised run of multi drive systems and automatic sequence control with locking drives (S3 / S12)

TECHNICAL DATA

U_N	Rated voltage	24 V DC (19 V ... 28 V)
I_N	Rated current	0,9 A
I_A	Cut-off current	1,2 A
P_N	Rated power	22 W
DC	Duty cycle	5 cycles (ED 30 % - ON: 3 min./OFF: 7 min.)
	Protection rating	IP 32
	Ambient temperature range	-5 °C ... +60 °C
F_Z	Pulling force max.	200 N
F_A	Pushing force max.	200 N
F_H	Pullout force	1.800 N (fastening depended)
	Chain	Stainless steel, without protruding rivet heads. Simple connection to casement brackets. Small bending radii allow maximum opening angles of small windows.
	Connecting cable	non-halogen, grey 5 x 0,5 mm ² , ~ 2 m
v	Speed	$s < 400$  8,0 mm/s  8,0 mm/s
s	Stroke max.	400 mm
L	Length	see order data
	Feedback contact	limit position „CLOSE“ (max. 24 V, 500 mA)
	Sound pressure level	≤ 70 dB (A)

AUMÜLLER chain drives have an integrated cable routing with connection sockets on both housing ends. This enables the following options:

- **AUMÜLLER-Click plug solution** with various cable lengths
Part.-No.: **501251** - 3 m cable length / **501252** - 5 m cable length / **501253** - 10 m cable length
- Series connection of several drives into multi drive systems
- Power supply from both sides

ORDER DATA						
s [mm]	L [mm]	Version	Finish	PU / pcs.	Part.-No.	
400	551	KS4 400 S12 24V L stretched chain V1	E6/C-0	1	522540	
400	551	KS4 400 S12 24V R stretched chain V2	E6/C-0	1	522440	

OPTIONS			
Special model	PU / pcs.	Part.-No.	
Drive housing painted/powder coated in other RAL colours			
Lump sum for coating		516030	
Specify at order stage:	1 – 20	516004	
	21 – 50	516004	
	51 – 100	516004	
	from 101	516004	
Plug solution:			
AUMÜLLER-Click plug solution - 3 m – non-halogen, grey – 5 x 0,5 mm²		501251	
AUMÜLLER-Click plug solution - 5 m – non-halogen, grey – 5 x 0,5 mm²		501252	
AUMÜLLER-Click plug solution - 10 m – non-halogen, grey – 5 x 0,5 mm²		501253	
Microprocessor programming S12			
Electronic stroke reduction 24V S12		524190	
Programming drives 24V / 230V S12		524180	
Optional accessories			
M-COM® Click Configuration module for synchronised multi-drive systems	1	524167	
M-COM Configuration module for synchronised multi-drive systems	1	524177	

Attached assembly

Opening angle 90°:
from FAB 170 mm - 250 mm

chain back above

engine above

F42

FAB

235

View / cut **A – A**

Opening angle max. 90°:
from FAB (overall width
of casement)
170 mm - 250 mm

FAB

F42

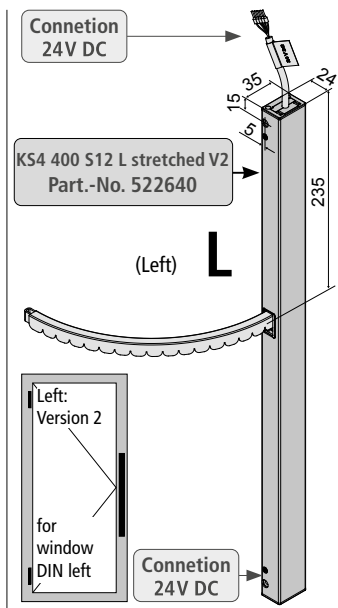
90°

chain back above

KS4

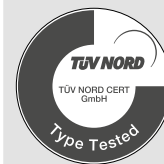
Stroke programming		
FAB	Stroke	Opening angle approx.
170	280	90°
180	305	90°
200	330	90°
225	350	90°
250	375	90°
275	400	85°
300	400	80°

The stroke is programmed: • according to the desired opening angle
• depending on the FAB



Concealed mounting inside profiles

- Flexible „side bow chain“ for narrow high windows
- Concealed mounting inside profiles with casement bracket F43 and frame bracket K133
- Application: natural ventilation, RWA, ferralux®-NRWG
- Internal Intelligent Control Electronics S12
- Feedback limit position „CLOSE“ (max. 24 V, 500 mA)

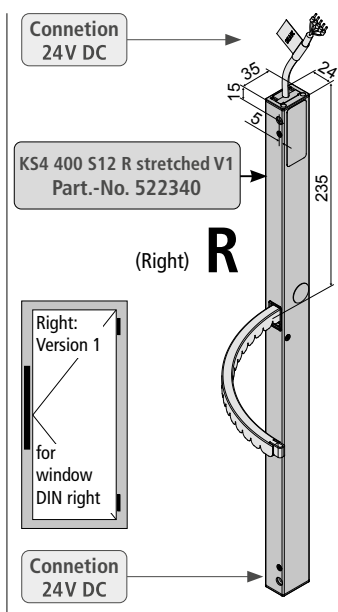


Equipment

- Additional **AUMÜLLER-Click plug set** for multi-drive operation

Options

- Programmable special functions
- Programmable feedback limit position „OPEN“ (max. 24 V, 500 mA)
- M-COM for automatic synchronised run of multi drive systems and automatic sequence control with locking drives (S3 / S12)



TECHNICAL DATA

U_N	Rated voltage	24 V DC (19 V ... 28 V)
I_N	Rated current	0,9 A
I_A	Cut-off current	1,2 A
P_N	Rated power	22 W
DC	Duty cycle	5 cycles (ED 30 % - ON: 3 min./OFF: 7 min.)
	Protection rating	IP 32
	Ambient temperature range	-5 °C ... +60 °C
F_Z	Pulling force max.	200 N
F_A	Pushing force max.	200 N
F_H	Pullout force	1.800 N (fastening depended)
	Chain	Stainless steel, without protruding rivet heads. Simple connection to casement brackets. Small bending radii allow maximum opening angles of small windows.

Connecting cable non-halogen, grey 5 x 0,5 mm², ~ 2 m

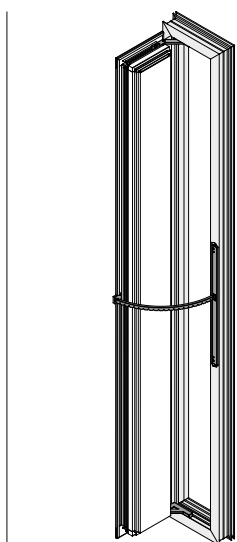
v Speed $s < 400$ 8,0 mm/s 8,0 mm/s

s Stroke max. 400 mm

L Length see order data

Feedback contact limit position „CLOSE“ (max. 24 V, 500 mA)

Sound pressure level ≤ 70 dB (A)



AUMÜLLER chain drives have an integrated cable routing with connection sockets on both housing ends. This enables the following options:

- **AUMÜLLER-Click plug solution** with various cabel lengths
Part.-No.: 501251 - 3 m cable length / 501252 - 5 m cable length / 501253 - 10 m cable length
- Series connection of several drives into multi drive systems
- Power supply from both sides

ORDER DATA						
s [mm]	L [mm]	Version	Finish	PU / pcs.	Part.-No.	
400	551	KS4 400 S12 24V L stretched chain V2	E6/C-0	1	522640	
400	551	KS4 400 S12 24V R stretched chain V1	E6/C-0	1	522340	

OPTIONS			
Special model	PU / pcs.	Part.-No.	
Drive housing painted/powder coated in other RAL colours			
Lump sum for coating		516030	
Specify at order stage:	1 – 20	516004	
	21 – 50	516004	
	51 – 100	516004	
	from 101	516004	
Plug solution:			
AUMÜLLER-Click plug solution - 3 m – non-halogen, grey – 5 x 0,5 mm²		501251	
AUMÜLLER-Click plug solution - 5 m – non-halogen, grey – 5 x 0,5 mm²		501252	
AUMÜLLER-Click plug solution - 10 m – non-halogen, grey – 5 x 0,5 mm²		501253	
Microprocessor programming S12			
Electronic stroke reduction 24V S12		524190	
Programming drives 24V / 230V S12		524180	
Optional accessories			
M-COM® Click Configuration module for synchronised multi-drive systems	1	524167	
M-COM Configuration module for synchronised multi-drive systems	1	524177	

Concealed mounting inside profiles

Opening angle 90°:
from FAB 170 mm - 250 mm

Planning of the „concealed mounting inside profiles“ on request!

chain back above

engine above

View / cut **A – A**

Opening angle max. 90°:
from FAB (overall width of casement)
170 mm - 250 mm

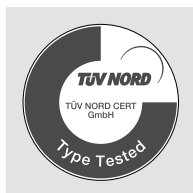
90°

chain back above

View / cut **B – B**

Stroke programming		
FAB	Stroke	Opening angle approx.
170	280	90°
180	305	90°
200	330	90°
225	350	90°
250	375	90°
275	400	85°
300	400	80°

The stroke is programmed: • according to the desired opening angle
• depending on the FAB



- Kit for side-hung window with a casement **opening angle ~70°**.
- The KS4 drive is pre-programmed for a **stroke of 350 mm**.
- Application: natural ventilation, RWA, ferralux®-NRWG
- Internal Intelligent Control Electronics S12
- Feedback limit position „CLOSE“ (max. 24 V, 500 mA)

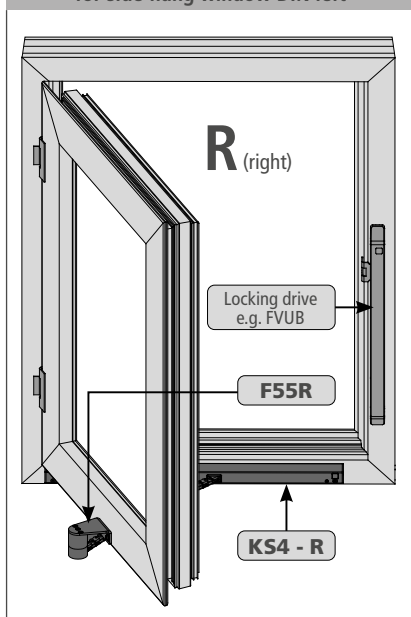
Equipment

- Additional **AUMÜLLER-Click plug set** for multi-drive operation

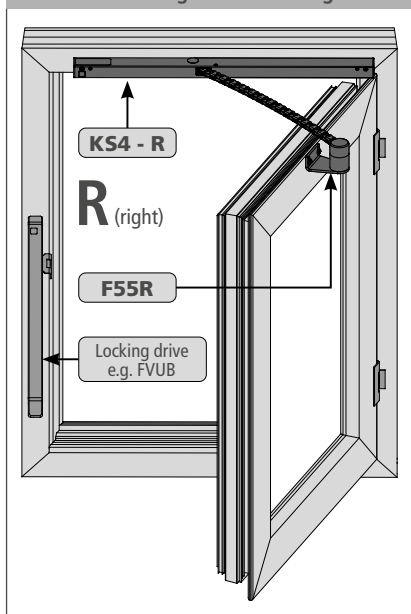
Optionen

- Programmable special functions
- Programmable feedback limit position „OPEN“ (max. 24 V, 500 mA)
- M-COM for automatic synchronised run of multi drive systems and automatic sequence control with locking drives (S3 / S12)

Drehvolution Set 1 (KS4R and F55R)
for side-hung window DIN left



Drehvolution Set 1 (KS4R and F55R)
for side-hung window DIN right



TECHNICAL DATA

U_N	Rated voltage	24 V DC (19 V ... 28 V)
I_N	Rated current	0,9 A
I_A	Cut-off current	1,2 A
P_N	Rated power	22 W
DC	Duty cycle	5 cycles (ED 30 % - ON: 3 min./OFF: 7 min.)
	Protection rating	IP 32
	Ambient temperature range	-5 °C ... +60 °C
F_z	Pulling force max.	400 N
F_A	Pushing force max.	200 N
F_H	Pullout force	1.800 N (fastening depended)
	Chain	Stainless steel, without protruding rivet heads. Simple connection to casement brackets. Small bending radii allow maximum opening angles of small windows.
	Connecting cable	non-halogen, grey 5 x 0,5 mm ² , ~ 2 m
v	Speed	$s < 350$ 8,0 mm/s 8,0 mm/s
s	Stroke max.	350 mm
L	Length	551 mm
	Feedback contact	limit position „CLOSE“ (max. 24 V, 500 mA)
	Sound pressure level	≤ 70 dB (A)

- *) **FAB = to max. 1200 mm**
FAB ≤ 1000 mm use 1x Drehvolution
FAB > 1000 mm use 2x Drehvolution Set 1 + Set 2 (synchron operation)

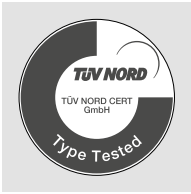
Space requirement on the frame = 26 mm

These window sizes are only recommendations.
A stable side-hung window - with an additional locking drive - is required!

- **) **FAH = to max. 2000 mm**
FAH ≤ 1200 mm use 1x Drehvolution
FAH > 1200 mm use 2x Drehvolution Set 1 + Set 2 (synchron operation)

*) FAB = Overall width of casement

**) FAH = Overall height of casement



- Kit for side-hung window with a casement **opening angle ~70°**.
- The KS4 drive is pre-programmed for a **stroke of 350 mm**.
- Application: natural ventilation, RWA, ferralux®-NRWG
- Internal Intelligent Control Electronics S12
- Feedback limit position „CLOSE“ (max. 24 V, 500 mA)

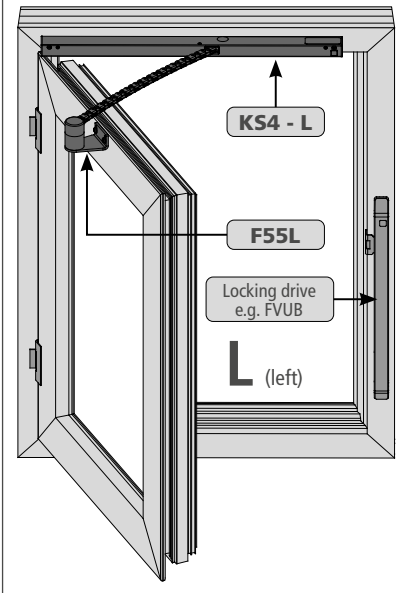
Equipment

- Additional **AUMÜLLER-Click plug set** for multi-drive operation

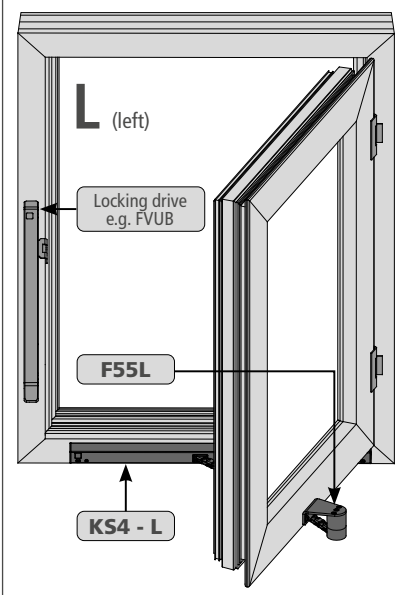
Optionen

- Programmable special functions
- Programmable feedback limit position „OPEN“ (max. 24 V, 500 mA)
- M-COM for automatic synchronised run of multi drive systems and automatic sequence control with locking drives (S3 / S12)

**Drehvolution Set 2 (KS4L and F55L)
for side-hung window DIN left**



**Drehvolution Set 2 (KS4L and F55L)
for side-hung window DIN right**



TECHNICAL DATA

U_N	Rated voltage	24 V DC (19 V ... 28 V)
I_N	Rated current	0,9 A
I_A	Cut-off current	1,2 A
P_N	Rated power	22 W
DC	Duty cycle	5 cycles (ED 30 % - ON: 3 min./OFF: 7 min.)
	Protection rating	IP 32
	Ambient temperature range	-5 °C ... +60 °C
F_Z	Pulling force max.	400 N
F_A	Pushing force max.	200 N
F_H	Pullout force	1.800 N (fastening depended)
	Chain	Stainless steel, without protruding rivet heads. Simple connection to casement brackets. Small bending radii allow maximum opening angles of small windows.
	Connecting cable	non-halogen, grey 5 x 0,5 mm ² , ~ 2 m
v	Speed	s < 350 8,0 mm/s 8,0 mm/s
s	Stroke max.	350 mm
L	Length	551 mm
	Feedback contact	limit position „CLOSE“ (max. 24 V, 500 mA)
	Sound pressure level	≤ 70 dB (A)

- *) **FAB = to max. 1200 mm**
FAB ≤ 1000 mm use 1x Drehvolution
FAB > 1000 mm use 2x Drehvolution Set 1 + Set 2 (synchron operation)

Space requirement on the frame = 26 mm

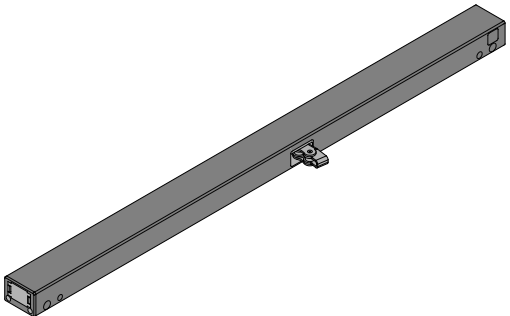
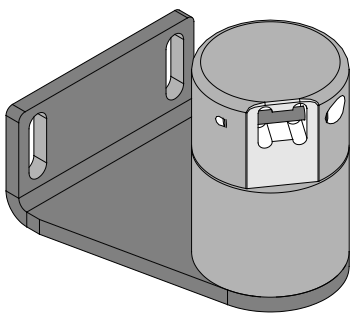
These window sizes are only recommendations.
A stable side-hung window - with an additional locking drive - is required!

- **) **FAH = to max. 2000 mm**
FAH ≤ 1200 mm use 1x Drehvolution
FAH > 1200 mm use 2x Drehvolution Set 1 + Set 2 (synchron operation)

- *) FAB = Overall width of casement
- **) FAH = Overall height of casement

ORDER DATA						
s [mm]	L [mm]	Version	Finish	PU/pcs.	Part.-No.	
350	551	Drehvolution - KS4 - Set 1 (right)	E6/C-0	1	522035	
350	551	Drehvolution - KS4 - Set 2 (left)	E6/C-0	1	520035	

OPTIONS						
Painting on request						
Plug solution:						
AUMÜLLER-Click plug solution - 3 m – non-halogen, grey – 5 x 0,5 mm ²					501251	
AUMÜLLER-Click plug solution - 5 m – non-halogen, grey – 5 x 0,5 mm ²					501252	
AUMÜLLER-Click plug solution - 10 m – non-halogen, grey – 5 x 0,5 mm ²					501253	
Microprocessor programming S12						
Electronic stroke reduction 24V S12					524190	
Programming drives 24V / 230V S12					524180	
Optionales Zubehör				PU/pcs.	Part.-No.	
M-COM® Click Configuration module for synchronised multi-drive systems				1	524167	
M-COM Configuration module for synchronised multi-drive systems				1	524177	

Scope of delivery: Drehvolution - KS4			
			
Chain drive:	KS4 400 S12 24V DC	Casement bracket:	F55
depending on the version:	L (left) R (right)	depending on the version:	L (left) R (right)
Connecting cable:	non-halogen, grey 5 x 0,5 mm ² , ~ 2 m		

OVERVIEW OF BRACKETS					1	2	3	4	5	
Typical application										
Frame bracket					K134	K132	No	K133	K135	
Casement bracket					F41	F42	F42	F43	F19	
Space requirement			min.	[mm]	20	28	27			
Overlap thickness (*1)				[mm]	0 - 21	5 - 21	0 - 21			
Opening angle (*2)			max.	[DEG]	45	60	40			
Casement weight (*3)			max.	[Kg]	85	70	85			
Window material										
Alu					●	●	●	●	●	
Wood					●	●	●	●	●	
PVC					●	●	●	●	●	
Type of window and mounting	Bottom hung	inward	HSK	FM	●	●				
				RM			●			
			NSK	FM	●	●				
				RM			●			
			outward	HSK	RM	●	●			
					PR					
		NSK		RM	●	●				
				PR						
		Top hung		inward	HSK	FM	■	■		
						RM			■	
			NSK		FM	■	■			
					RM			■		
	outward		HSK	RM	■	●				
				PR						
		NSK	RM	■	■					
			PR							
	Side hung	inward	HSK	FM	●	●				
				RM			●			
			NSK	FM						
				RM						
		Roof	outward	HSK	RM	■	■			
					PR					
	NSK	RM								
		PR								
PAF	outward		RM	●	●					
Concealed								●	●	
FAB (*4)			Solo	[mm]	600 - 1200					
FAH (*4)			Solo	[mm]	250 - 1500					

LEGEND

● suitable ■ not recommended

(*1) Window sizes and opening angles may be different.

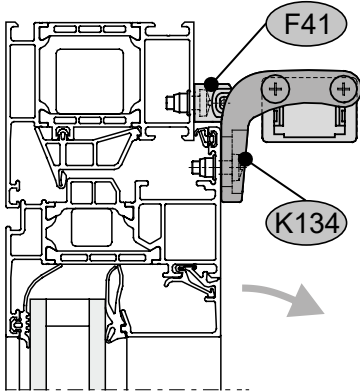
(*2) Sample values of the opening angle evaluated on the basis of FAB/FAH for inward opening windows with drives mounted at the main closing edge. For any other window heights, for outward opening windows and for windows with drives mounted at the side edges the opening angle will vary.

(*3) Please respect the individual geometry of the different windows. The listed max. casement weight refers to a single drive on button hung window with a max. opening angle.

(*4) Sample value of the casement dimensions for corner joints of 110 mm. The actual casement dimensions depend on length of the corner joints, profile dimensions, stroke and position of the drives. The values of FAB/FAH are to be used analogue for side hung windows.

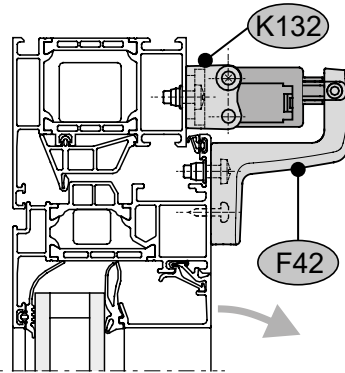
TYPICAL APPLICATIONS

1 FM, bottom hung inward opening



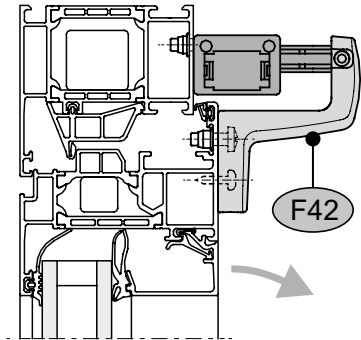
View on aluminium window

2 RM, bottom hung inward opening



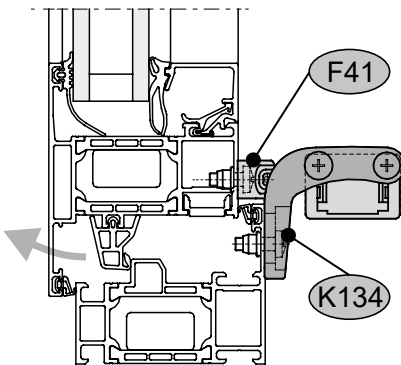
View on aluminium window

3 RM, bottom hung inward opening



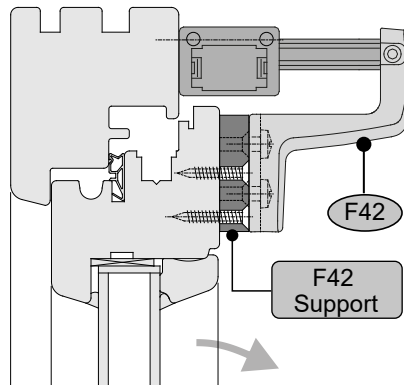
View on aluminium window

1 RM, top hung outward opening



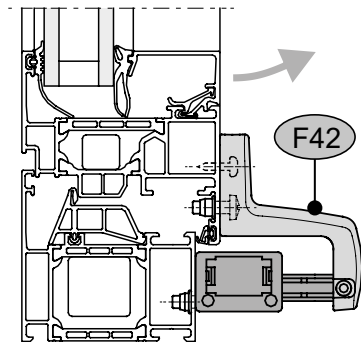
View on aluminium window

3 RM, bottom hung inward opening



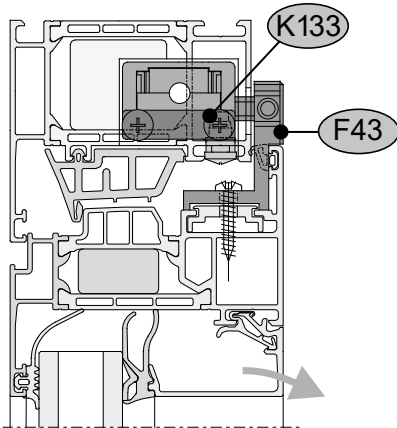
View on wood window

3 RM, top hung inward opening



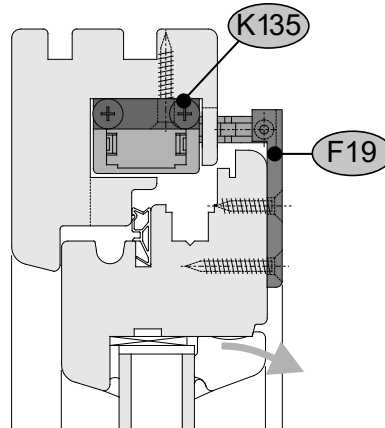
View on aluminium window

4 PE (profile installation) in the frame bottom hung, inward opening



View on aluminium window

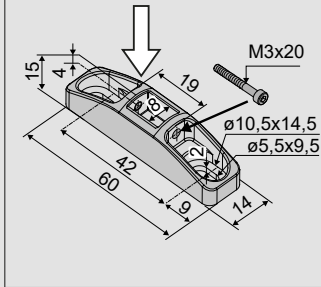
5 PE (profile installation) in the frame bottom hung, inward opening



View on wood window

CASEMENT BRACKETS

F41

**Application**

Surface mounting on the casement profiles of inward opening windows, for **swivelling** fixing of drives **KS4** with **K132, K134**

Chain fixing in direction of the arrow

Part-No. 151440**Material / Finish**

Cast aluminum,
bright chrome

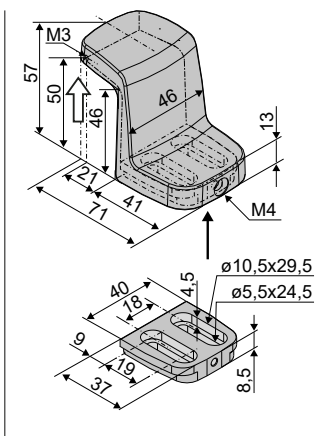
Feature / Equipment

1x screw M3x20
Drilling template

Part-No. 151445**Material / Finish**

Cast aluminum,
RAL 9006

F42

**Application**

Surface mounting on the casement profiles of inward opening windows, for surface mounted drives **KS4**

Chain fixing in direction of the arrow

Part-No. 151441**Material / Finish**

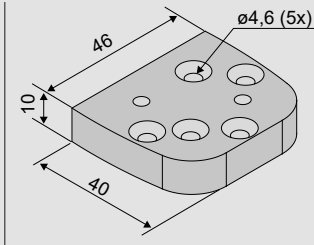
Cast aluminum,
bright chrome

Feature / Equipment

1x baseplate
1x countersunk screw
M4x10
1x screw M3x25
Drilling template

Part-No. 151446**Material / Finish**

Cast aluminum,
RAL 9006

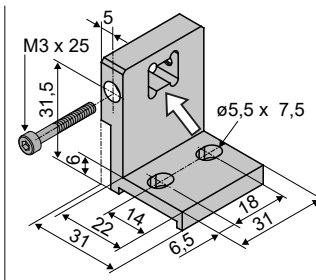
F42-Sup-
port**Application**

F42-Support as a compensating plate when mounting on the wooden windows and plastic windows
t = 10 mm

Part-No. 523961**Material / Finish**

aluminum (E6/C-0)

F43

**Application**

Surface mounting on the casement profiles of inward opening windows **Schüco AWS 75**, for the **profile-integrated installation** of drives **KS4** with **K133**.

Chain fixing in direction of the arrow

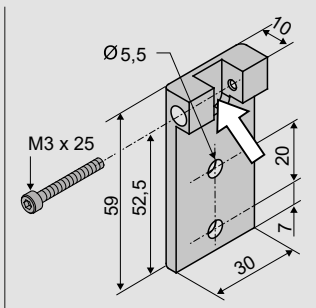
Part-No. 151444**Material / Finish**

Aluminum

Feature / Equipment

1x cylinder head screw
M3x25

F19

**Application**

Surface mounting on the casement profiles of inward opening windows, for the **profile-integrated installation** of drives **KS4** with **K135**.

Chain fixing in direction of the arrow

Part-No. 151419**Material / Finish**

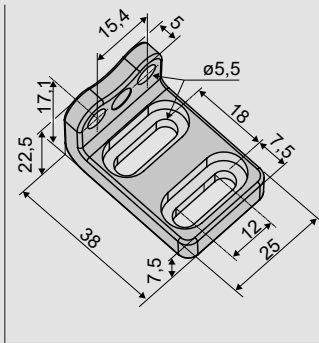
Aluminum

Feature / Equipment

1x cylinder head screw
M3x25

FRAME BRACKETS

K132



Application

Surface mounting on the casement profiles of inward opening windows, for **swivelling** fixing of drives **KS4 with F42**

Part.-No. 522940

Material / Finish

Cast aluminum, bright chrome

Feature / Equipment

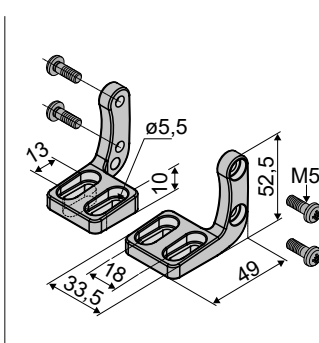
2x frame brackets
2x screws M5x16

Part.-No. 522947

Material / Finish

Cast aluminum, RAL 9006

K134



Application

Surface mounting on the casement / window frame profiles of in- / outward opening windows, for rigid or swivelling fixing of drives **KS4 with F41**

Part.-No. 522941

Material / Finish

Cast aluminum, bright chrome

Feature / Equipment

4x screw M5x10

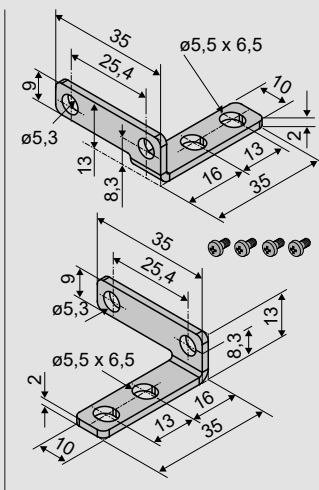
Part.-No. 522948

Material / Finish

Cast aluminum, RAL 9006

PROFILE-INTEGRATED MOUNTING

K133



Application

Profil-integrated mounting in the casement profiles of inward opening windows, for **rigid** fixing of drives **KS4 with F43**.

Part.-No. 522946

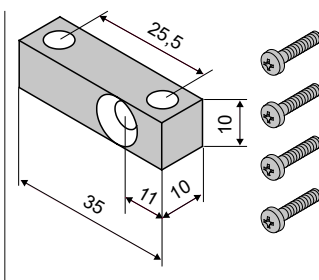
Material / Finish

Stainless steel

Feature / Equipment

2x frame brackets
4x screws M5x10

K135



Application

Profil-integrated mounting in the casement profiles of inward opening **wood windows**, for **rigid** fixing of drives **KS4 with F19**.

Part.-No. 522943

Material / Finish

Aluminium, vibratory grinding

Feature / Equipment

2x frame brackets
4x screws M5x16

OPTIONAL ACCESSORIES

Main control unit

M-COM



Application

Configuration module for automatic configuration and surveillance of max. 4 opening drives / 2 locking drives version S12 / S3 in synchronised multi-drive systems

Rated voltage:

24 V DC (19 V ... 28 V)

Current consumption: <12 mA

Drive type: S12

Protection rating

IP30 rubber envelope

Part.-No. 524177

Ambient temperature

range: 0 °C ... + 70 °C

Dimensions

45 x 17 x 6 mm

Connecting wires

3 wires 0,5 mm² x 50 mm

Feature/Equipment

Printed circuit board with components and connection wires to be installed in connection box to be supplied on site

M-COM® Click



Application

Configuration module for automatic configuration and surveillance of max. 4 opening drives / 2 locking drives version S12 / S3 in synchronised multi-drive systems

Rated voltage:

24 V DC (19 V ... 28 V)

Current consumption: <12 mA

Drive type: S12

Protection rating: IP30

Part.-No. 524167

Ambient temperature

range: -5 °C ... +70 °C

Dimensions:

40 x 26 x 15 mm

Connection:

for AUMÜLLER chain drives with AUMÜLLER-Click plug solution

Equipment

Tongs for removing the M-COM® Click

Plug solution

AUMÜLLER-Click plug solution



Application

AUMÜLLER-Click plug solution: Unified plug solution for all AUMÜLLER chain drives and AUMÜLLER folding arm drives.

Rated voltage:

24 V DC (19 V ... 28 V)

Connecting cable:

non-halogen, grey 5 x 0,5 mm²

Terminal: to 1,5 mm²

Feature/Equipment

- Flexible cable length
- Connect multiple drives in series connection
- Torsion-plug
- Locking hooks prevent withdrawal of the plug under tensile load
- Strain relief according DIN EN 60335-1 by screwing the housing halves

VARIANTEN:

3 m cable length - 24V DC

Part.-No. 501251

5 m cable length - 24V DC

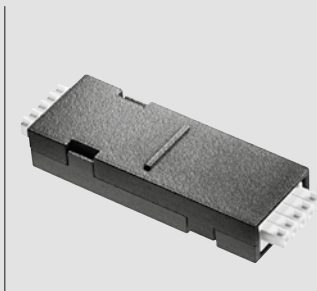
Part.-No. 501252

10 m cable length - 24V DC

Part.-No. 501253

Connection plug

AUMÜLLER-Click KS4 Connection plug



Application

Connection plug for rigid mounting of two drives with mirrored chain outlet.

Rated voltage:

24 V DC (19 V ... 28 V)

Dimension:

70 x 26 x 13 mm

Part.-No. 524123

Feature/Equipment

- Torsion-plug
- Replaces disturbing cables
- Creates a visually consistent image on the window - without disturbing, visible cables.

CASEMENT BRACKETS AND FRAME BRACKETS

Special model	PU/pcs.	Part.-No.			
Casement brackets painted / powder coated in other RAL colours					
Lump sum for coating		516030			
Specify at order stage:	1 – 20	516032			
	21 – 50	516032			
	51 – 100	516032			
	from 101	516032			
Frame brackets painted / powder coated in other RAL colours					
Lump sum for coating		516030			
Specify at order stage:	1 – 20	516031			
	21 – 50	516031			
	51 – 100	516031			
	from 101	516031			