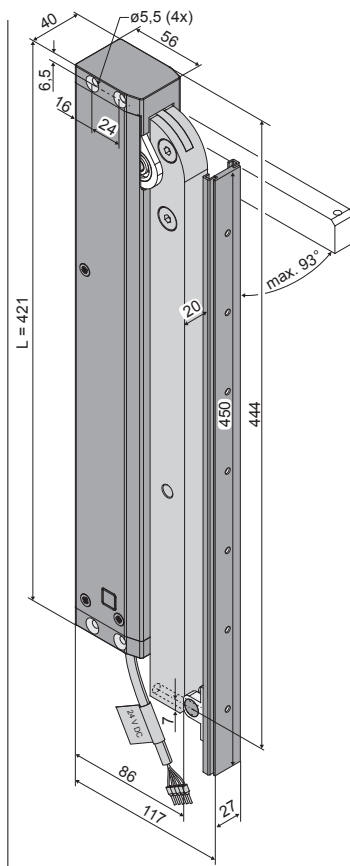


- Application: natural ventilation, SHEV
- Mainly for opening and closing of side-hung outward opening windows
- Internal Intelligent Control Electronics S12
- Programmable contact for feedback
- Unified plug solution for all **AUMÜLLER** chain drives and **AUMÜLLER** folding arm drives

Options

- Programmable special functions
- M-COM for automatic synchronised run of multi drive systems and automatic sequence control with locking drives (S3 / S12)
- Various customised programmings on request



TECHNICAL DATA

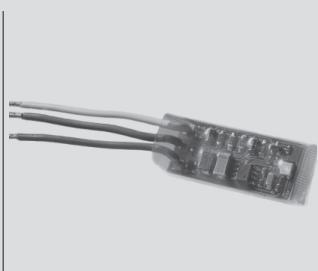
U_N	Rated voltage	24V DC (19V ... 28V)
I_N	Rated current	1,0 A
I_A	Cut-off current	1,4 A
P_N	Rated power	20 W
DC	Duty cycle	5 cycles (ED 30 % - ON: 3 min./OFF: 7 min.)
	Protection rating	IP 32
	Ambient temperature range	-5 °C ... +60 °C
M_A	Torque OPEN (max.)	215 Nm (~ 600 N)
M_Z	Torque CLOSE (max.)	215 Nm (~ 600 N)
F_H	Pullout force	3000 N (fastening depended)
	Lever arm	aluminium (RAL9006)
	Connecting cable	non-halogen, grey 5 x 0,5 mm ² , ~ 3 m
t	Running time (0° – 90°) (constant at 2/3 load)	45 s (2,0°/s) 45 s (2,0°/s)
s	Stroke length (lever)	0 – 93 DEG (± 5%)
L	Length	455 mm
	Potential free contact	max. 24VDC / 0,5A programmable
	Sound pressure level	≤ 70 dB (A)


ORDER DATA						
s [DEG]	L [mm]	Version	Finish	PU/pcs.	Part.-No.	
0° – 93°	455	FTA600 GF S12 24V	E6/C-0	1	524146	
Accessories				PU/pcs.	Part.-No.	
K104 Casement bracket FTA600 GF				1	524173	

OPTIONS			
Special model	PU/pcs.	Part.-No.	
Drive housing painted/powder coated in other RAL colours			
Lump sum for coating		516030	
Specify at order stage:	1 – 20	516004	
	21 – 50	516004	
	51 – 100	516004	
	from 101	516004	
Extra length connecting cable:			
10 m – non-halogen, grey – 5 x 0,5 mm ²		501056	
Microprocessor programming S12			
Electronic stroke reduction 24V S12	1	524190	
Programming drives 24V / 230V S12		524180	
Optional accessories		PU/pcs.	Part.-No.
Configuration module for synchronised multi-drive systems		1	524177

OPTIONAL ACCESSORIES

Main control unit and plug solution

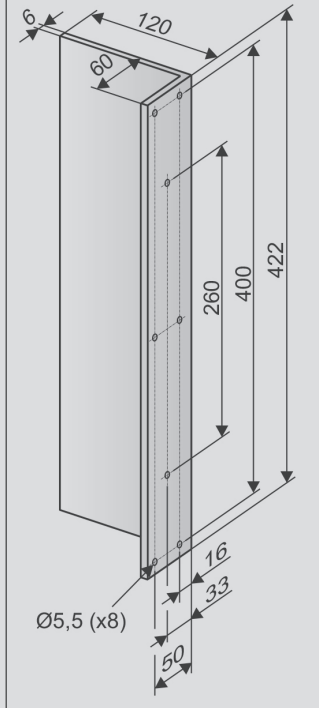
M-COM		<p>Application Configuration module for automatic configuration and surveillance of max. 6 opening or locking drives version S12 / S3 in synchronised multi-drive systems</p> <p>Rated voltage: 24V DC (19V ... 28V) Current consumption: <12 mA Drive type: S12 Protection rating IP30 rubber envelope</p>	<p>Part.-No. 524177</p> <p>Ambient temperature range 0 °C ... + 70 °C</p> <p>Dimensions 45 x 17 x 6 mm</p> <p>Connecting wires 3 wires 0,5 mm² x 50 mm</p> <p>Feature/Equipment Printed circuit board with components and connection wires to be installed in connection box to be supplied on site</p>
--------------	---	--	---

Aumüller-Click plug solution		<p>Aumüller-Click plug solution: Unified plug solution for all AUMÜLLER chain drives and AUMÜLLER folding arm drives.</p> <p>Rated voltage: 24V DC (19V ... 28V) Connecting cable: non-halogen, grey 5 x 0,5 mm²</p> <p>Terminal: to 1,5 mm²</p>	<p>Feature/Equipment</p> <ul style="list-style-type: none"> • Flexible cable length • Connect multiple drives in series connection • Torsion-plug • Locking hooks prevent withdrawal of the plug under tensile load • Strain relief according DIN EN 60335-1 by screwing the housing halves
VARIANTS:			
3 m cable length - 24 V DC	Part.-No. 501251		
5 m cable length - 24 V DC	Part.-No. 501252		
10 m cable length - 24 V DC	Part.-No. 501253		

ACCESSORIES

Casement bracket

K104



Application

Surface mounting on the **side closing edge** of window frame profiles of **outward opening side-hung** windows.

Angle bracket **422 mm** for mounting of FTA600-GF on the window frame profile.

The slide rail of has to be mounted on the casement profile.

Part.-No. 524173

Material/Finish
aluminium

Feature/Equipment

1x angle 120x60x422

(t = 6) mm

4x countersunk screws,

M5x45 mm

Load

max. 600 N

Special model	PU/pcs.	Part.-No.		
Frame brackets painted / powder coated in other RAL colours				
Lump sum for coating		516030		
Specify at order stage:	1 – 20	516031		
	21 – 50	516031		
	51 – 100	516031		
	from 101	516031		

ATTENTION: Slide rail may not be painted!

Typical applications

