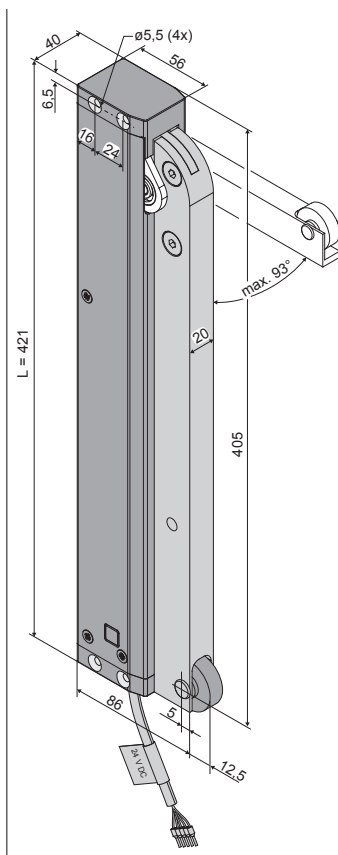


- Application: natural ventilation, SHEV
- Mainly for supply air openings
- Internal Intelligent Control Electronics S12
- Programmable contact for opener
- Unified plug solution for all **AUMÜLLER** chain drives and **AUMÜLLER** folding arm drives

### Options

- Programmable special functions
- M-COM for automatic synchronised run of multi drive systems and automatic sequence control with locking drives (S3 / S12)
- Various customised programmings on request



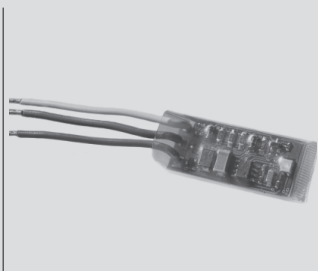

### TECHNICAL DATA

<b>U<sub>N</sub></b>	Rated voltage	24V DC (19 V ... 28 V)
<b>I<sub>N</sub></b>	Rated current	1,0 A
<b>I<sub>A</sub></b>	Cut-off current	1,4 A
<b>P<sub>N</sub></b>	Rated power	24 W
<b>DC</b>	Duty cycle	5 cycles (ED 30 % - ON: 3 min./OFF: 7 min.)
	Protection rating	IP 32
	Ambient temperature range	-5 °C ... +60 °C
<b>M<sub>A</sub></b>	Torque OPEN (max.)	215 Nm (~600 N)
<b>M<sub>Z</sub></b>	Torque CLOSE (max.)	215 Nm (~600 N)
<b>F<sub>H</sub></b>	Pullout force	3000 N (fastening depended)
	Lever arm	aluminium (RAL9006)
	Connecting cable	non-halogen, grey 5 x 0,5 mm <sup>2</sup> , ~ 3 m
<b>t</b>	Running time (0° – 90°) (constant at 2/3 load)	45 s (2,0°/s)  45 s (2,0°/s)
<b>s</b>	Stroke length (lever)	0 – 93 DEG (± 5%)
<b>L</b>	Length	421 mm
	Potential free contact	max. 24VDC / 0,5A programmable
	Sound pressure level	≤ 70 dB (A)

ORDER DATA						
s [DEG]	L [mm]	Version	Finish	PU/pcs.	Part.-No.	
0° – 93°	421	FTA600 R S12 24V	E6/C-0	1	524144	
Accessories				PU/pcs.	Part.-No.	
K88 Casement bracket FTA600 R				1	524156	

OPTIONS			
Special model	PU/pcs.	Part.-No.	
<b>Drive housing painted/powder coated in other RAL colours</b>			
<b>Lump sum for coating</b>		516030	
Specify at order stage:	1 – 20	516004	
	21 – 50	516004	
	51 – 100	516004	
	from 101	516004	
<b>Extra length connecting cable:</b>			
10 m – non-halogen, grey – 5 x 0,5 mm <sup>2</sup>		501056	
<b>Microprocessor programming S12</b>			
Electronic stroke reduction 24V S12	1	524190	
Programming drives 24V / 230V S12		524180	
Optional accessories		PU/pcs.	Part.-No.
Configuration module for synchronised multi-drive systems		1	524177

**OPTIONAL ACCESSORIES**

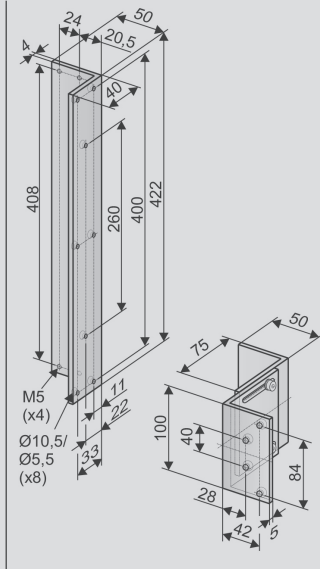
Main control unit and plug solution			
<p><b>M-COM</b></p> 	<p><b>Application</b>                      Configuration module for automatic configuration and surveillance of max. 6 opening or locking drives version S12 / S3 in synchronised multi-drive systems</p> <p><b>Rated voltage:</b> 24V DC (19V ... 28V)</p> <p><b>Current consumption:</b> &lt;12 mA</p> <p><b>Drive type:</b> S12</p> <p><b>Protection rating</b> IP30 rubber envelope</p>	<p><b>Part.-No. 524177</b></p> <p><b>Ambient temperature range</b> 0 °C ... + 70 °C</p> <p><b>Dimensions</b> 45 x 17 x 6 mm</p> <p><b>Connecting wires</b> 3 wires 0,5 mm<sup>2</sup> x 50 mm</p> <p><b>Feature/Equipment</b> Printed circuit board with components and connection wires to be installed in connection box to be supplied on site</p>	
<p><b>Aumüller-Click plug solution</b></p> 	<p><b>Aumüller-Click plug solution:</b> Unified plug solution for all AUMÜLLER chain drives and AUMÜLLER folding arm drives.</p> <p><b>Rated voltage:</b> 24V DC (19V ... 28V)</p> <p><b>Connecting cable:</b> non-halogen, grey 5 x 0,5 mm<sup>2</sup></p> <p><b>Terminal:</b> to 1,5 mm<sup>2</sup></p>	<p><b>Feature/Equipment</b></p> <ul style="list-style-type: none"> <li>• Flexible cable length</li> <li>• Connect multiple drives in series connection</li> <li>• Torsion-plug</li> <li>• Locking hooks prevent withdrawal of the plug under tensile load</li> <li>• Strain relief according DIN EN 60335-1 by screwing the housing halves</li> </ul>	
<b>VARIANTS:</b>			
3 m cable length - 24 V DC		Part.-No. 501251	
5 m cable length - 24 V DC		Part.-No. 501252	
10 m cable length - 24 V DC		Part.-No. 501253	

Folding arm drives

### OPTIONAL ACCESSORIES

#### Casement bracket

**K88**



#### Application

**Surface mounting** on the **side closing edge** of frame profiles of inward opening floor-to-ceiling windows as air inlets.

Angle bracket **422 mm** for mounting of FTA600-R on the frame profile.

Two angle brackets 100 mm for mounting on the floor-to-ceiling windows as sliding guidance of the carrier role, adjustable for compensation of the overlap.

**Part.-No. 524156**

**Material/Finish**  
aluminium

**Feature/Equipment**

1x angle 50x40x422

(t = 4) mm

2x angles 50x75x100

(t = 5) mm

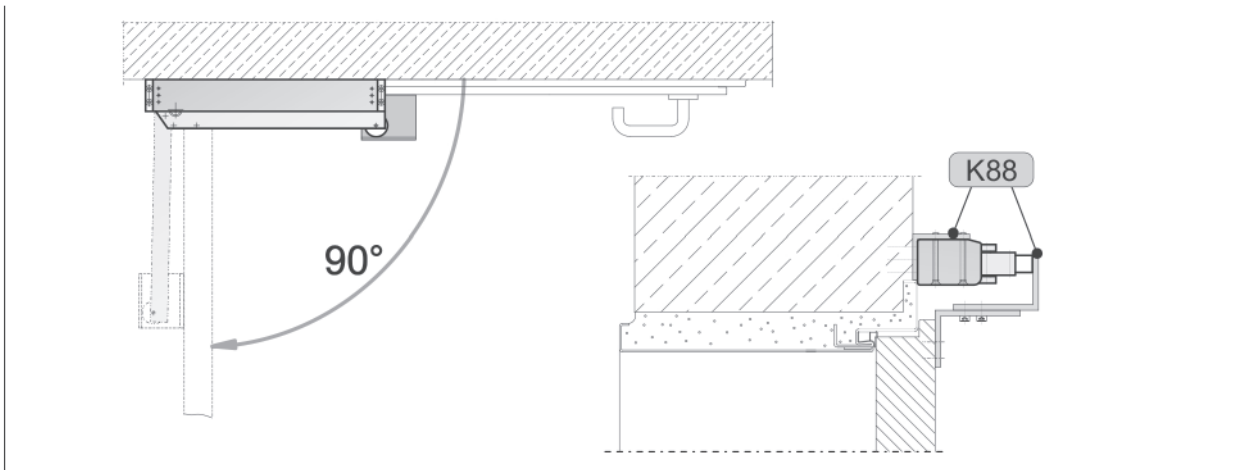
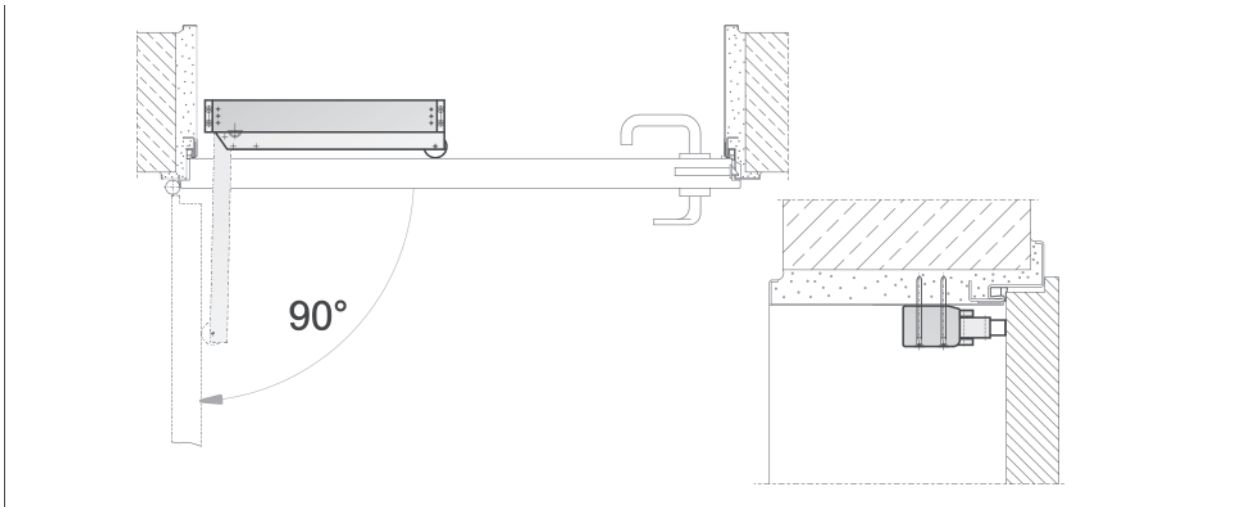
fixing screws and nuts

**Load**

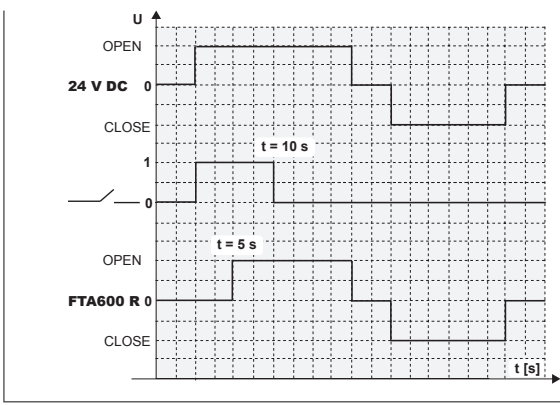
max. 600 N

Special model	PU/pcs.	Part.-No.		
Frame brackets painted / powder coated in other RAL colours				
Lump sum for coating		<b>516030</b>		
Specify at order stage:	1 – 20	<b>516031</b>		
	21 – 50	<b>516031</b>		
	51 – 100	<b>516031</b>		
	from 101	<b>516031</b>		

Typical applications



Contact diagramm



After application of the voltage, the floor-to-ceiling windows lock contact is activated for 10 seconds. With a delay of about 5 seconds, the drive arm of the folding arm drives **FTA600 R** starts moving and opens to an angle of max. 93°.

During the **closing operation**, the floor-to-ceiling window lock contact is not activated.