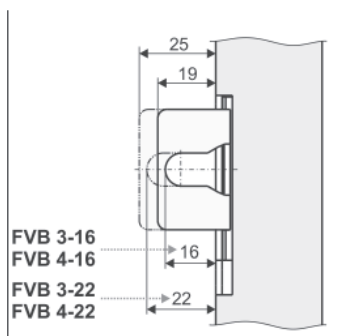
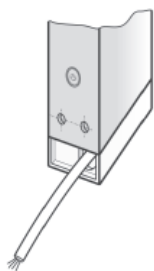


**FVB 4**



- Application: natural ventilation, SHEV, ferralux®-NSHEV
- Surface mounting on the on the main/side closing edge of the window frame profiles (RM) of inward opening windows
- Required mounting space 35 mm
- Locking drives for existing locking bar

**Options**

- Locking plate customizable for project-/profile-specific demands

**FVB3**

- With internal load dependent cut-off switch and sequence control for drives PL6 S1 / PL10 S1 (I = 0.8A)

**FVB4**

- M-COM suitable internal load dependent cut-off switch and sequence control for drives S3 /S12
- Star wiring
- Current of the drives does not run over FVB4
- Sequence control via communication wire

**TECHNICAL DATA**

<b>U<sub>N</sub></b>	Rated voltage	24V DC (19 V ... 28 V)
<b>I<sub>N</sub></b>	Rated current	0,6 A
<b>I<sub>0</sub></b>	Quiescent current	~ 300 mA
<b>P<sub>N</sub></b>	Rated power	20 W
<b>I<sub>D</sub></b>	Current of opening drives	FVB3: 0,8 A (PL 6/10 S1) FVB4: S3 / S12 non relevant
<b>DC</b>	Duty cycle	5 cycles (ED 30 % - ON: 3 min./OFF: 7 min.)
	Protection rating	IP 32
	Ambient temperature range	-5 °C ... +60 °C
<b>F</b>	Pushing / Pulling force max.	~ 600 N
<b>t</b>	Runtime	~ 5,0 s
<b>s</b>	Stroke	~ 18 mm (± 1)
	Connecting cable	FVB3: non-halogen, grey 2 x 0,75 mm <sup>2</sup> , ~ 3 m FVB4: non-halogen, grey 3 x 0,50 mm <sup>2</sup> , ~ 3 m
	Coupling adapter	stainless steel
	Housing	aluminium (E6/C-O), 420 x 35 x 35 mm
<b>L</b>	Length	420 mm
	Versions	FVB 3 / FVB 4 – 16: Coupling adapter length 19 mm FVB 3 / FVB 4 – 22: Coupling adapter length 25 mm
	Sound pressure level	≤ 70 dB (A)

ORDER DATA						
s [mm]	L [mm]	Version	Finish	PU/pcs.	Part.-No.	
16	420	FVB3 16	E6/C-0	1	513921	
22	420	FVB3 22	E6/C-0	1	513923	
16	420	FVB4 16	E6/C-0	1	513930	
22	420	FVB4 22	E6/C-0	1	513934	

Special model	PU/pcs.	Part.-No.	
<b>Drive housing painted/powder coated in other RAL colours</b>			
<b>Lump sum for coating</b>		516030	
Specify at order stage:	1 – 20	516004	
	21 – 50	516004	
	51 – 100	516004	
	from 101	516004	
<b>Extra length connecting cable:</b>			
5 m –non-halogen grey – 2 x 0,75 mm <sup>2</sup>		501021	
10 m –non-halogen, grey – 2 x 0,75 mm <sup>2</sup>		501027	
5 m –non-halogen, grey – 3 x 0,50 mm <sup>2</sup>		501034	
10 m –non-halogen, grey – 3 x 0,50 mm <sup>2</sup>		501036	
<b>Microprocessor programming S12</b>			
Programming drives 24V / 230V S12		524180	
<b>Optional accessories</b>			
M-COM Configuration module for synchronised multi-drive systems (for FVB4)	1	524177	