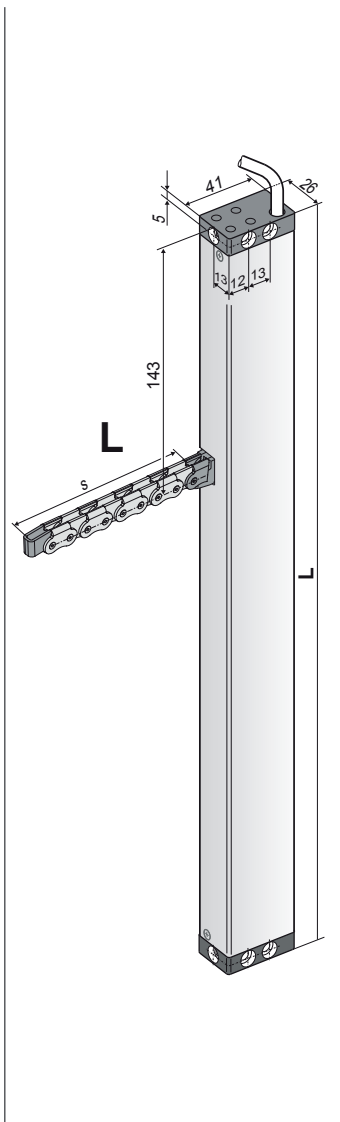


- Application: natural ventilation, SHEV, ferralux®-NSHEV
- Internal Intelligent Control Electronics S12
- Z-Version: Programmable feedback limit position „OPEN“ and „CLOSE“ (max. 24 V, 500 mA)

Options

- Programmable special functions
- M-COM for automatic synchronised run of multi drive systems and automatic sequence control with locking drives (S3 / S12)



TECHNICAL DATA

U_N Rated voltage 24V DC (19 V ... 28 V)

I_N Rated current 0,7 A

I_A Cut-off current 1,0 A

P_N Rated power 17 W

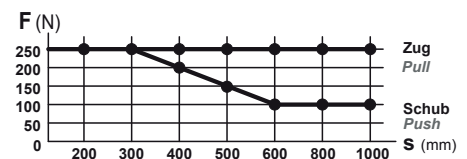
DC Duty cycle 5 cycles (ED 30 % - ON: 3 min./OFF: 7 min.)

Protection rating IP 32

Ambient temperature range range -5 °C ... +60 °C

F_Z Pulling force max. 250 N

F_A Pushing force max.



s > 600 mm only for pulling application

F_H Pullout force 1.800 N (fastening depended)

Chain Stainless steel, without protruding rivet heads. Simple connection to casement brackets. Small bending radii allow maximum opening angles of small windows.

Connecting cable non-halogen, grey 5 x 0,5 mm², ~ 3 m

v Speed

s < 400	8,0 mm/s	8,0 mm/s
s 500 – 600	12,0 mm/s	8,0 mm/s
s > 600	13,5 mm/s	8,0 mm/s

s Stroke 50 – 1000 mm

L Length see order data

Sound pressure level ≤ 70 dB (A)

ORDER DATA						
s [mm]	L [mm]	Version	Finish	PU/pcs.	Part.-No.	
200	335	KS2 200 S12 24V L	E6/C-0	1	521720	
		KS2 200 S12 24V Z L	E6/C-0	1	521723	
300	380	KS2 300 S12 24V L	E6/C-0	1	521730	
		KS2 300 S12 24V Z L	E6/C-0	1	521733	
400	430	KS2 400 S12 24V L	E6/C-0	1	521740	
		KS2 400 S12 24V Z L	E6/C-0	1	521743	
500	545	KS2 500 S12 24V L	E6/C-0	1	521750	
		KS2 500 S12 24V Z L	E6/C-0	1	521753	
600	545	KS2 600 S12 24V L	E6/C-0	1	521760	
		KS2 600 S12 24V Z L	E6/C-0	1	521763	
800	625	KS2 800 S12 24V L	E6/C-0	1	521780	
		KS2 800 S12 24V Z L	E6/C-0	1	521783	

OPTIONS						
Special model		PU/pcs.	Part.-No.			
Drive housing painted/powder coated in other RAL colours						
Lump sum for coating					516030	
Specify at order stage:		1 – 20		516004		
		21 – 50		516004		
		51 – 100		516004		
		from 101		516004		
Extra length connecting cable:						
5 m – non-halogen, grey – 5 x 0,5 mm ²					501054	
10 m – non-halogen, grey – 5 x 0,5 mm ²					501056	
Microprocessor programming S12						
Electronic stroke reduction 24V S12					524190	
Programming drives 24V / 230V S12					524180	
Optional accessories						
M-COM Configuration module for synchronised multi-drive systems				1	524177	