



- Application: natural ventilation, SHEV, ferralux®-NSHEV
- Internal Intelligent Control Electronics S12
- Adjustable chain tension / Mechanical chain unlocking
- Programmable feedback limit position „OPEN“ and „CLOSE“ (max. 24V, 500 mA)

Equipment

- Additional **AUMÜLLER-Click plug set** for multi-drive operation

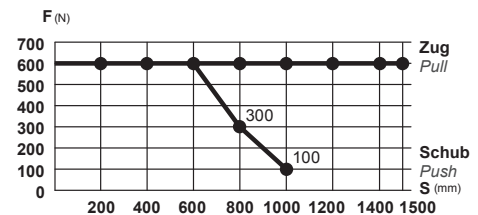
Options

- Programmable special functions
- M-COM for automatic synchronised run of multi drive systems and automatic sequence control with locking drives (S3 / S12)

TECHNICAL DATA

U_N	Rated voltage	24V DC (19 V ... 28 V)
I_N	Rated current	0,9 A
I_A	Cut-off current	1,2 A
P	Rated power	22 W
DC	Duty cycle	5 cycles (ED 30 % - ON: 3 min./OFF: 7 min.)
	Protection rating	IP 32
	Ambient temperature range	-5 °C ... +60 °C
F	Pulling force max.	600 N

Pushing force max.



s > 800 mm only for pulling application

Pullout force 3.000 N (fastening depended)

Chain stainless steel

Connecting cable non-halogen, grey 5 x 0,5 mm², ~ 3 m

Speed

s < 400	8,0 mm/s	8,0 mm/s
s 500 – 600	12,0 mm/s	8,0 mm/s
s > 600	13,5 mm/s	8,0 mm/s

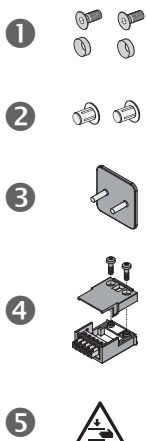
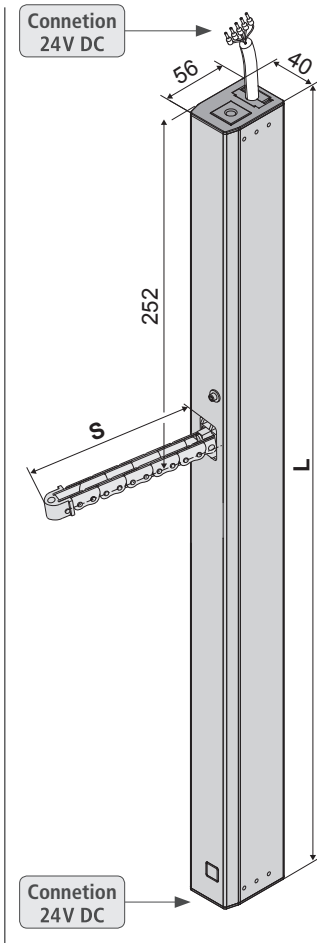
S Stroke 250 – 1.500 mm

L Length see order data

Sound pressure level ≤ 70 dB (A)

In delivery

- 2x countersunk screws M8x16 and 2x Spacer ring (brass)
- 2x blind plug for unused cable entry
- 1x chain unlocking key
- 1x **AUMÜLLER-Click plug set** (24V) for multi-drive operation
- 1x warning sign sticker „Risk of entrapment“



ORDER DATA						
s [mm]	L [mm]	Version	Finish	PU / pcs.	Part.-No.	
250	515	KSA 250 S12 24V Z	E6/C-0	1	522723	
300	591	KSA 300 S12 24V Z	E6/C-0	1	522733	
400	591	KSA 400 S12 24V Z	E6/C-0	1	522743	
500	693	KSA 500 S12 24V Z	E6/C-0	1	522753	
600	693	KSA 600 S12 24V Z	E6/C-0	1	522763	
800	794	KSA 800 S12 24V Z	E6/C-0	1	522783	
1000	896	KSA 1000 S12 24V Z	E6/C-0	1	522813	
1200	998	KSA 1200 S12 24V Z	E6/C-0	1	522823	
1500	1151	KSA 1500 S12 24V Z	E6/C-0	1	522853	

OPTIONS						
Special model		PU / pcs.	Part.-No.			
Drive housing painted/powder coated in other RAL colours						
Lump sum for coating				516030		
Specify at order stage:		1 – 20	516004			
		21 – 50	516004			
		51 – 100	516004			
		from 101	516004			
Plug solution:						
AUMÜLLER-Click plug solution - 5 m – non-halogen, grey – 5 x 0,5 mm²				501252		
AUMÜLLER-Click plug solution - 10 m – non-halogen, grey – 5 x 0,5 mm²				501253		
Microprocessor programming S12						
Electronic stroke reduction 24V S12				524190		
Programming drives 24V / 230V S12				524180		
Optional accessories						
M-COM® Click Configuration module for synchronised multi-drive systems			1	524167		
M-COM Configuration module for synchronised multi-drive systems			1	524177		