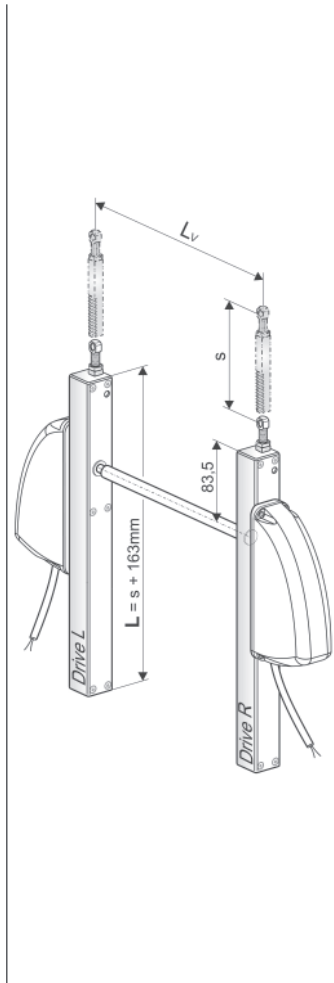


- Application: natural ventilation and SHEV as single-drive
- Internal load dependend cut-off switch S2
- 2 drives mechanical synchronised by the connection shaft

Options

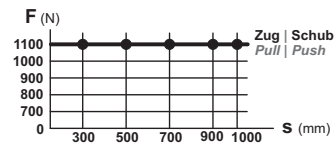
- Drillings for front / rear suspension
- Connection shaft with different lengths



TECHNICAL DATA

U_N	Rated voltage	24V DC (19 V ... 28 V)
I_N	Rated current	1,2 A
I_A	Cut-off current	1,6 A
P_N	Rated power	30 W
DC	Duty cycle	5 cycles (ED 30 % - ON: 3 min./OFF: 7 min.)
	Protection rating	IP 54
	Ambient temperature range	-5 °C ... +60 °C
F_Z	Pulling force max.	1100 N

F_A Pushing force max.



F_H	Pullout force	3000 N (fastening depended)
	Rack	stainless steel
	Connecting cable	non-halogen, grey 2 x 0,75 mm ² , ~ 1 m
v	Speed	6,0 mm/s 6,0 mm/s
s	Stroke	300 – 1000 mm
L	Length	s + 163 mm see order data
L_v	Connection shaft	Standard length see order data
	Sound pressure level	≤ 70 dB (A)

ORDER DATA						
s [mm]	L [mm]	Version	Finish	PU/pcs.	Part.-No.	
300	463	LKS TV 300 S2	E6/C-0	1	513300.TV	
500	563	LKS TV 500 S2	E6/C-0	1	513500.TV	
600	463	LKS TV 600 S2	E6/C-0	1	513600.TV	
750	913	LKS TV 750 S2	E6/C-0	1	513800.TV	
1000	1163	LKS TV 1000 S2	E6/C-0	1	513805.TV	

OPTIONS						
Special model			PU/pcs.	Part.-No.		
Drive housing painted/powder coated in other RAL colours						
Lump sum for coating					516030	
Specify at order stage:				1 – 20	516004	
				21 – 50	516004	
				51 – 100	516004	
				from 101	516004	
Extra length connecting cable:						
3 m – non-halogen, grey – 2 x 0,75 mm ²					501023	
5 m – non-halogen, grey – 2 x 0,75 mm ²					501024	
10 m – non-halogen, grey – 2 x 0,75 mm ²					501026	
Accessories for fron / rear suspension						
2 additional holes Ø6 mm in the bottom of of housing for rear suspension with K28, K29				1	520901	
Mechanic stroke reduction						
Stroke reduction without construction length - mechanically				1	516000	
Other lengths available on request						
Accessories						
	Lv [mm]		PU/pcs.	Part.-No.		
Connection shaft						
B17-1	1000		1	513050		
B17-2	1500		1	513052		
B17-3	2000		1	513054		