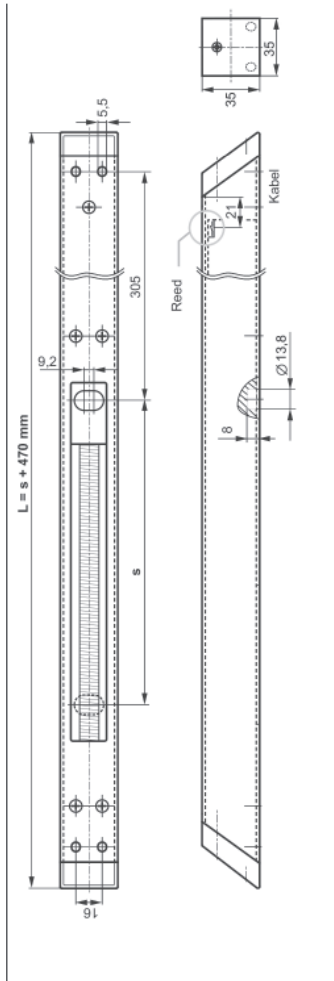


- Application: natural ventilation, SHEV, ferralux®-NSHEV
- Internal Intelligent Control Electronics S12
- Coupling adapter with double slot groove $\varnothing 13,3 \times 9,2$ mm

Options

- Programmable synchronised run (max. 4 drives) and special functions
- Programmable sequence control with locking drives (S3 / S12)
- Customized stroke and coupling adapter on request



TECHNICAL DATA

U_N	Rated voltage	24V DC (19 V ... 28 V)
I_N	Rated current	LLA10: 0,6 A LLA16: 0,9 A
I_A	Cut-off current	LLA10: 1,0 A LLA16: 1,2 A
P_N	Rated power	LLA10: 15 W LLA16: 22 W
DC	Duty cycle	5 cycles (ED 30 % - ON: 3 min./OFF: 7 min.)
	Protection rating	IP 40
	Ambient temperature range	-5 °C ... +60 °C
F_Z	Pulling force max.	LLA10: 1000 N LLA16: 1600 N
F_A	Pushing force	LLA10: 1000 N LLA16: 1600 N
F_H	Pullout force	5000 N (fastening depended)
	Coupling adapter	Polyamid PA6 with groove $\varnothing 13,8 \times 19,2 \times 8$ mm
	Connecting cable	non-halogen, grey 3 x 1,0 mm ² , ~ 3 m
v	Speed	\leftarrow 4,0 mm/s \rightarrow 4,0 mm/s
S	Stroke	60 – 200 mm
L	Length	s + 470 mm see order data
	Sound pressure level	≤ 70 dB (A)

ORDER DATA						
s [mm]	L [mm]	Version	Finish	PU/pcs.	Part.-No.	
60	530	LLA10 60 S12	E6/C-0	1	520306	
120	590	LLA10 120 S12	E6/C-0	1	520312	
200	670	LLA10 200 S12	E6/C-0	1	520343	
60	530	LLA16 60 S12	E6/C-0	1	520406	
120	590	LLA16 120 S12	E6/C-0	1	520412	
200	670	LLA16 200 S12	E6/C-0	1	520423	

OPTIONS			
Special model	PU/pcs.	Part.-No.	
Drive housing painted/powder coated in other RAL colours			
Lump sum for coating		516030	
Specify at order stage:	1 – 20	516004	
	21 – 50	516004	
	51 – 100	516004	
	from 101	516004	
Extra length connecting cable:			
5 m – non-halogen, grey – 3 x 1,0 mm ²		501037	
10 m – non-halogen, grey – 3 x 1,0 mm ²		501039	
Microprocessor programming S12			
Programming drives 24V / 230V S12	1	524180	
Electronic stroke reduction 24V S12	1	524190	
Programming synchronised multi-drive systems 24V S3 / S12	1	524182	