

OVERVIEW OF BRACKETS								
Typical application				1	2	3		
Frame bracket				K134	K132	No		
Casement bracket				F41	F42	F42		
Space requirement	min.	[mm]		20	28	27		
Overlap thickness (*1)		[mm]		0 - 21	5 - 21	0 - 21		
Opening angle (*2)	max.	[DEG]		45	60	40		
Casement weight (*3)	max.	[Kg]		85	70	85		
Window material		Alu		●	●	●		
		Wood		●	●	●		
		PVC		●	●	●		
Type of window and mounting	Bottom hung	inward	HSK	FM	●	●		
				RM			●	
			NSK	FM	●	●		
		RM				●		
		outward	HSK	RM	●	●		
				PR				
	NSK		RM	●	●			
			PR					
	Top hung		inward	HSK	FM	■	■	
					RM			■
		NSK		FM	■	■		
			RM			■		
		outward	HSK	RM	■	●		
				PR				
	NSK		RM	■	■			
		PR						
	Side hung	inward	HSK	FM	●	●		
				RM			●	
NSK			FM					
		RM						
		PR						
Roof		outward	HSK	RM	■	■		
	PR							
	NSK		RM					
		PR						
		PAF	outward	RM	●	●		
	Concealed							
FAB (*4)	Solo	[mm]		600 - 1200				
FAH (*4)	Solo	[mm]		250 - 1500				

### LEGEND

● suitable    ■ not recommended

(\*1 Window sizes and opening angles may be different.

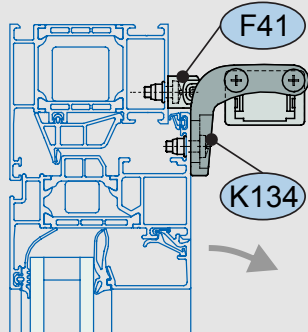
(\*2 Sample values of the opening angle evaluated on the basis of FAB/FAH for inward opening windows with drives mounted at the main closing edge. For any other window heights, for outward opening windows and for windows with drives mounted at the side edges the opening angle will vary.

(\*3 Please respect the individual geometry of the different windows. The listed max. casement weight refers to a single drive on button hung window with a max. opening angle.

(\*4 Sample value of the casement dimensions for corner joints of 110 mm. The actual casement dimensions depend on length of the corner joints, profile dimensions, stroke and position of the drives. The values of FAB/FAH are to be used analogue for side hung windows.

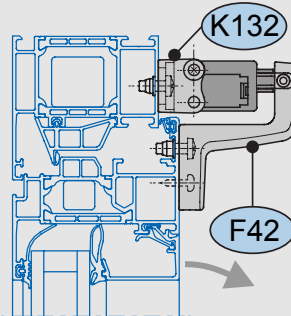
## TYPICAL APPLICATIONS

- 1 FM, bottom hung  
inward opening



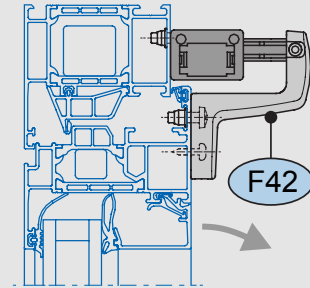
View on aluminium window

- 2 FM, bottom hung  
inward opening



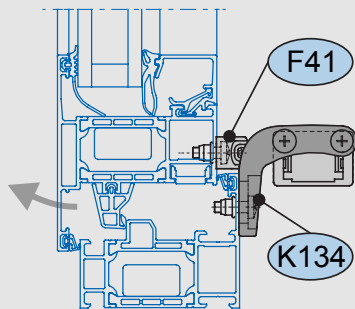
View on aluminium window

- 3 FM, bottom hung  
inward opening



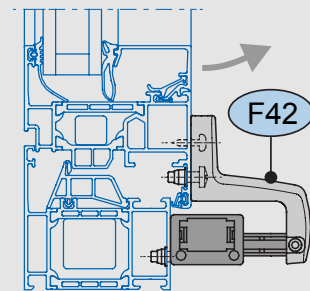
View on aluminium window

- 1 RM, top hung  
outward opening



View on aluminium window

- 3 RM, top hung  
inward opening



View on aluminium window