

OVERVIEW OF BRACKETS											
Typical application			1	2	3	4	5	6			
Frame bracket			K-A1	K81-1, K87, K-C1, K-E1, K-E2	K-B1	K-B2	K-D1	K-F			
Casement bracket			F14, F16	F14, F16, F16-1, F29-2, F33, F38, F39	F14, F16						
Space requirement	min.	[mm]	35	65 – 90	45 – 55		45	30			
Overlap thickness *1		[mm]	0 – 21	irrelevant	0 – 21		0 – 21	0 – 21			
Opening angle *2	max.	[DEG]	20	60	50		40	45			
Casement weight *3	max.	[Kg]	250	130	130		130	250			
Window material		Alu	●	●	●	●	●	●			
		Wood		●	●	●	●	●			
		PVC	■		●	●	●	●			
Type of window and mounting	Bottom hung	inward	HSK	FM	●		●		●		
				RM				●			
			NSK	FM	●		●	●			
		RM						●			
		outward	HSK	RM	●		●	●			
				PR		●					
	NSK		RM	●	●	●	●				
			PR		■						
			Top hung	inward	HSK	FM	●		●	●	
						RM				●	
	NSK	FM	●			●	●				
		RM					●				
	outward	HSK	RM	●	●	●	●				
			PR								
		NSK	RM	●		●	●				
			PR		●						
			Side hung	inward	HSK	FM	●		●	●	
						RM				●	
	NSK	FM			●		●	●			
		RM						●	●		
	Roof	outward	HSK		RM	■		■	■		
					PR		■				
			NSK	RM	■		■	■			
				PR		■					
PAF	outward			RM	●		●				
Concealed											
FAB*4	Solo		[mm]					700 – 1300			
	Sync2		[mm]					1250 – 2500			
FAH*4	Solo	[mm]					450 – 1500				
	Sync2	[mm]					250 – 2500				

LEGEND

● suitable ■ not recommended

*1 Window sizes and opening angles may be different.

*2 Sample values of the opening angle evaluated on the basis of FAB/FAH for inward opening windows with drives mounted at the main closing edge.

For any other window heights, for outward opening windows and for windows with drives mounted at the side edges the opening angle will vary.

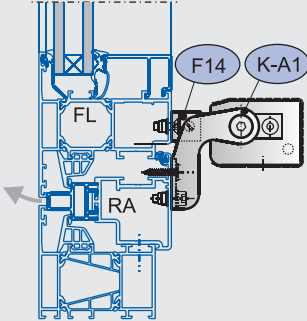
*3 Please respect the individual geometry of the different windows. The listed max. casement weight refers to a single drive on button hung window with a max. opening angle.

*4 Sample value of the casement dimensions for corner joints of 110 mm. The actual casement dimensions depend on length of the corner joints, profile dimensions, stroke and position of the drives.

The values of FAB/FAH are to be used analogue for side hung windows.

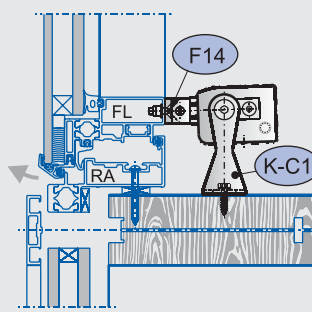
TYPICAL APPLICATIONS

- 1 RM, top hung outward opening



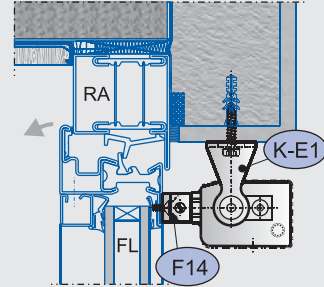
View on aluminium window

- 2 PR, bottom hung inward opening



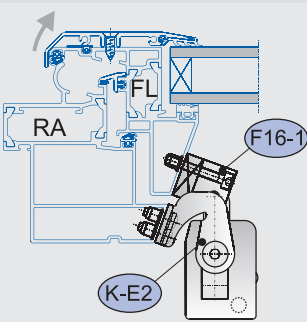
View on aluminium window

- 2 PR, bottom hung outward opening



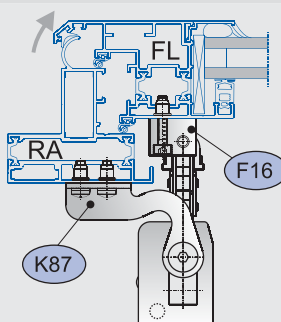
View on aluminium window

- 2 RM, roof



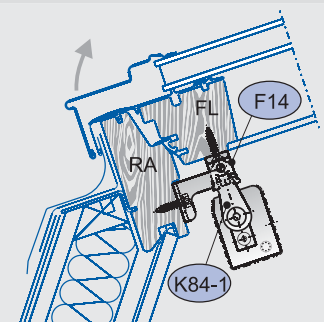
View on aluminium window

- 2 RM, roof



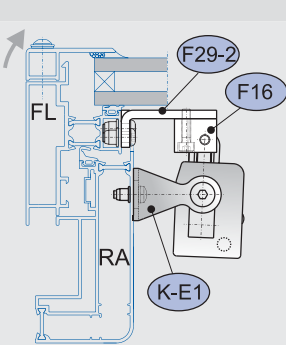
View on aluminium window

- 2 RM, roof



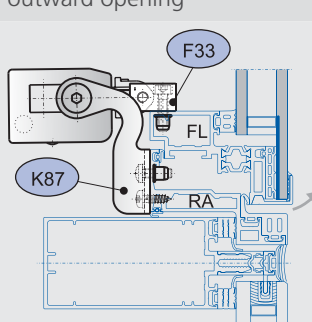
View on wooden window

- 2 RM, roof



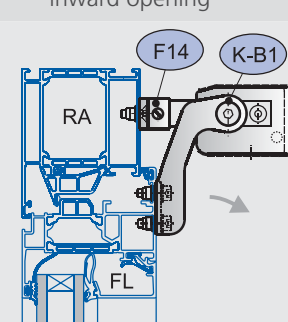
View on aluminium window

- 2 RM, top hung outward opening



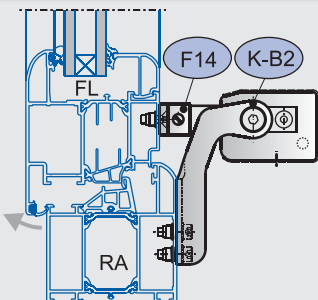
View on aluminium window

- 3 FM, bottom hung inward opening



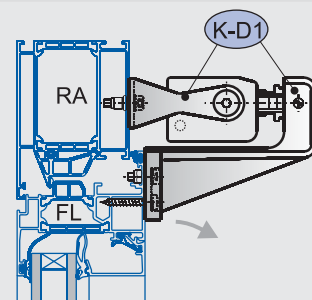
View on aluminium window

- 4 RM, top hung outward opening



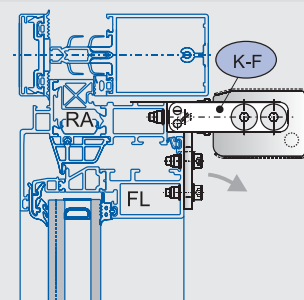
View on aluminium window

- 5 RM, bottom hung inward opening



View on aluminium window

- 6 FM, bottom hung inward opening



View on aluminium window