

OVERVIEW OF BRACKETS													
Typical applications			1	2	3	4	5	6	7	8	9	10	
Frame bracket			K5	K5	K5	K17	K82	K122	K127	K122-1	K122-1	K7	
Mounting aid					K21								
Bracket accessories			clamping ring B4 (36 mm-G1/8)										
Casement bracket			F29-1	F1, F1V, F1.1, F10.6, F10.8S, F11, F13, F40				F29	F11	F36	F30	F12	
Special application			Heroal 085D					Heroal 085 D	Wing 105D	AWS 57RO	Witect 50	Sky light Essmann	
Space requirement		min. [mm]	50	50	40 – 50	70	45	60	35	68	68	120	
Window material		Alu	●	●	●	●	●	●	●	●	●		
		Wood		●	●	●	●						
		PVC		●	●	●	●					●	
Type of window and mounting	Bottom hung	in-ward	HSK	FM			■		■				
				RM									
			NSK	FM									
		NSK	RM										
		out-ward	HSK	RM			●		●				
				PR		●		●					
	NSK		RM										
	NSK	PR											
	Top hung	in-ward	HSK	FM			■		■				
				RM									
			NSK	FM									
		NSK	RM										
		out-ward	HSK	RM			●		●				
				PR		●		●					
	NSK		RM										
	NSK	PR											
	Side hung	in-ward	HSK	FM			■		■				
				RM									
			NSK	FM									
	NSK	RM											
	Roof	out-ward	HSK	RM	●		●		●				
				PR		●		●					
			NSK	RM			●			●	●	●	●
				PR		●		●					
Sky-light	out-ward	HSK	RM		●		●	●					
		NSK	RM								●		
FAB(*1)	Solo	[mm]					450 – 1300				600 – 1200		
	Sync2	[mm]					1200 – 2400				1200 – 2400		
FAH(*1)	Solo	[mm]					450 – 1500				600 – 1200		
	Sync2	[mm]					450 – 2500				1200 – 1500		

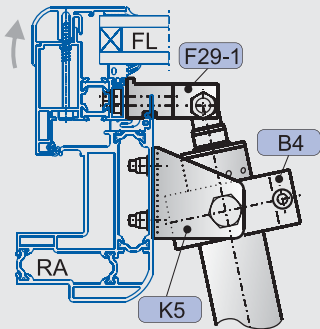
**LEGEND**

● suitable      ■ not recommended

(\*1) Sample value of the casement dimensions. The actual casement dimensions depend on the stroke and the position of the drives to the hinges. The values of FAB/FAH are to be used analogue for side hung windows.

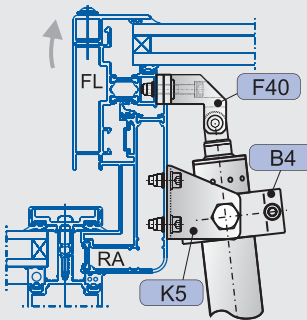
TYPICAL APPLICATIONS

1 RM, HSK, roof



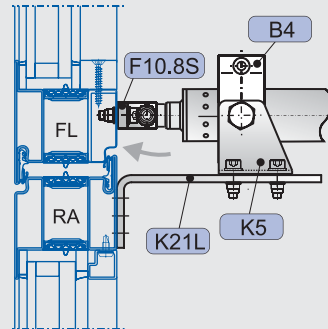
View on aluminium window

2 RM, HSK, roof



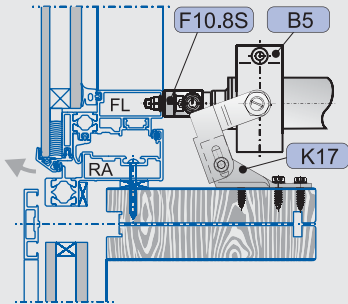
View on aluminium window

3 RM, HSK, top hung outward opening



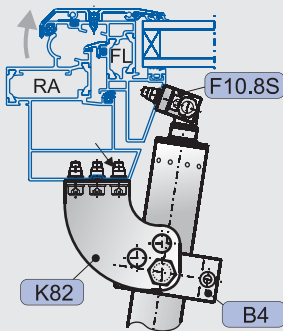
View on aluminium window

4 RM, HSK, top hung outward opening



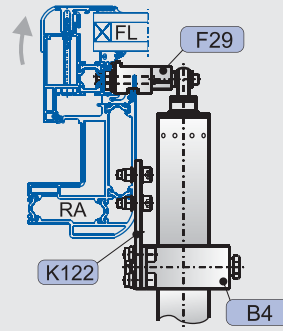
View on aluminium window

5 RM, HSK, roof



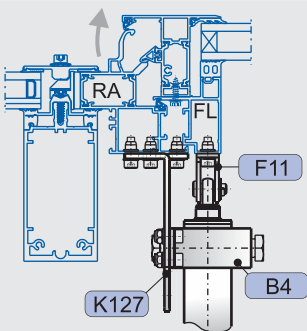
View on aluminium window

6 RM, NSK, roof



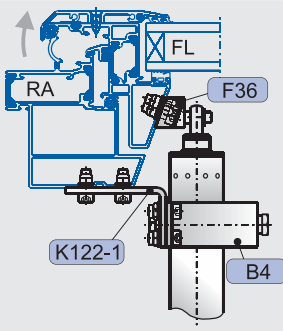
View on aluminium window

7 RM, NSK, roof



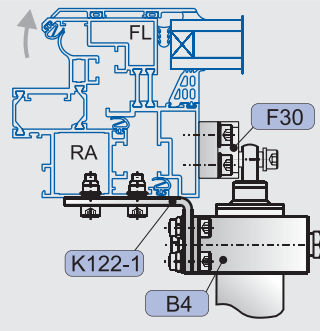
View on aluminium window

8 RM, NSK, roof



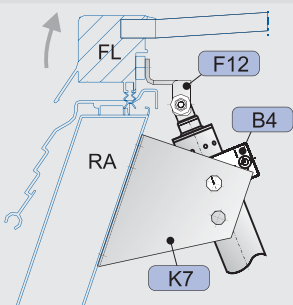
View on aluminium window

9 RM, NSK, roof



View on aluminium window

10 RM, HSK, sky-light



View on sky light