

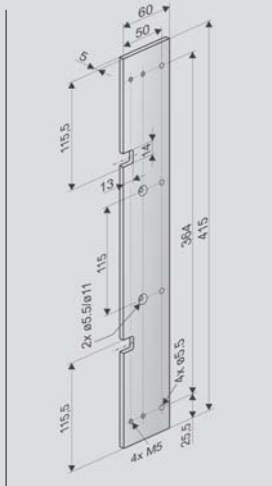
### ACCESSORIES

Locking angle			
B18		<p><b>Application</b></p> <p><b>Surface mounting</b> on the <b>main/side closing edge</b> of window frame profiles/casement profiles of <b>in-/outward opening</b> windows. Adjustable locking bolt for compensation of the profile overlap <b>FÜ&lt;10 mm</b>. Required mounting space <b>35 mm</b></p>	<p><b>Part.-No. 301595</b></p> <p><b>Material/Finish</b> stainless steel (1.4301)</p> <p><b>Feature/Equipment</b> 1x locking pin Ø 8x30, 1x nut M6, 1x washer A6,4</p>
<b>Accessories</b>			
	<p><b>B21-1</b> base plate for FÜ&gt;10 mm FV L = 420</p>	<p><b>Part.-No. 515181</b></p>	
	<p><b>B21-2</b> base plate for for FÜ&gt;10 mm FV L = 1200</p>	<p><b>Part.-No. 515183</b></p>	
	<p><b>B21-3</b> base plate for for FÜ&gt;10 mm FV L = 2000</p>	<p><b>Part.-No. 515185</b></p>	
	<p><b>B22</b> base plate for glazing bead</p>	<p><b>Part.-No. 301599</b></p>	
B19		<p><b>Application</b></p> <p><b>Surface mounting</b> on the <b>main/side closing edge</b> of window frame profiles/casement profiles of <b>in-/outward opening</b> windows. Adjustable locking bolt for compensation of the profile overlap <b>FÜ&lt;10 mm</b>. Required mounting space <b>15 mm</b></p>	<p><b>Part.-No. 301597</b></p> <p><b>Material/Finish</b> aluminium</p> <p><b>Feature/Equipment</b> 1x locking pin Ø 8x10, 1x hex head screw M6x10, 1x washer A6,4</p>

## ACCESSORIES

## Mounting plate

## B20-1



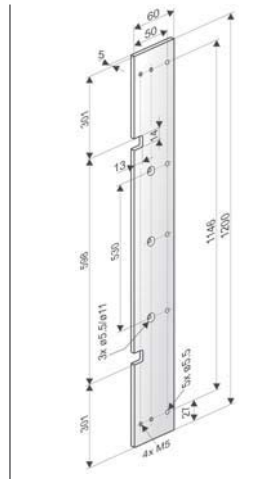
## Application

**Mounting of FV1/FV3/FV4**  
**L = 420 mm** as right or left hand version on the window frame profiles of outward opening windows or on the casement profile of inward opening casements, e.g. **RWA1100** hardware systems

Part.-No. 515191

**Material/Finish**  
aluminium  
**Feature/Equipment**  
415 x 60 x 5 mm

## B20-2



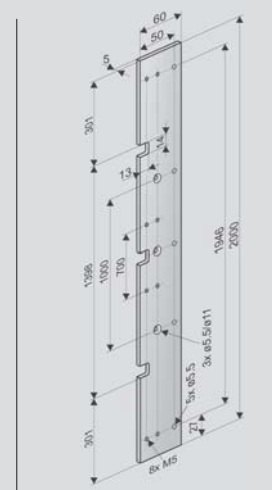
## Application

**Mounting of FV1/FV3/FV4**  
**L = 1200 mm** on the window frame profiles of outward opening windows or on the casement profiles of inward opening casements, e.g. **RWA1100** hardware system

Part.-No. 515193

**Material/Finish**  
aluminium  
**Feature/Equipment**  
1200 x 60 x 5 mm

## B20-3



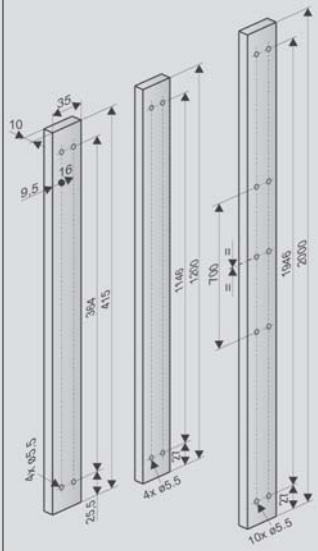
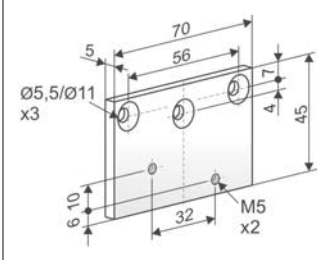
## Application

**Mounting of FV1/FV3/FV4**  
**L = 2000 mm** on the window frame profiles of outward opening windows or on the casement profiles of inward opening casements, e.g. **RWA1100** hardware system

Part.-No. 515197

**Material/Finish**  
aluminium  
**Feature/Equipment**  
2000 x 360 x 5 mm

### OPTIONAL ACCESSORIES

Base plate					
<b>B21</b> 	<b>B21-1</b> FV L = 420 <b>B21-2</b> FV L = 1200 <b>B21-3</b> FV L = 2000	<b>Part.-No.</b> 515181 <b>Part.-No.</b> 515183 <b>Part.-No.</b> 515185			
	<b>Application</b> <b>Compensation</b> of the <b>profile overlap FÜ &gt; 10 mm</b> for FV1/FV3/FV4 mounted on the window frame profiles (RM) of <b>inward opening</b> windows 1x for FÜ > 10 mm 2x for FÜ > 20 mm	<b>Material/Finish</b> aluminium <b>Feature/Equipment</b> L x 35 x 10 mm (L = 415, 1200, 2000) mm			
<b>B22</b> 	<b>Application</b> <b>Adapter plate</b> for relocation of the mounting holes of the locking bracket <b>B18</b> outside the glazing bead of <b>outward opening</b> windows	<b>Part.-No.</b> 301599 <b>Material/Finish</b> aluminium <b>Feature/Equipment</b> for locking angle B18			

Special model	PU/pcs.	Part.-No.			
<b>Casement brackets painted / powder coated in other RAL colours</b>					
Specify at order stage:	1 – 4	<b>516026</b>			
	5 – 9	<b>516026</b>			
	10 – 49	<b>516026</b>			
	50 – 99	<b>516026</b>			
	up 100	<b>516026</b>			
<b>Frame brackets painted / powder coated in other RAL colours</b>					
Specify at order stage:	1 – 4	<b>516025</b>			
	5 – 9	<b>516025</b>			
	10 – 49	<b>516025</b>			
	50 – 99	<b>516025</b>			
	up 100	<b>516025</b>			