

OVERVIEW OF CHAIN DRIVES																		
Type	Form	Model		Stroke	Force		Speed		Stroke in	Cut-off current	Use			Loca- tion	Functions			
		Type of cut-off	Rated voltage	Range	Pushing force	Pulling force	OPEN	CLOSE	60 s	Max.	Natural ventilation	SHEV	NSHEV	Facade	Roof	Run monitoring	Synchronised run	Sequence control
			[V]	[mm]	[N]	[N]	[mm/s]	[mm/s]	[mm]	[A]								
KS2	SOLO	S2	24	200 – 800	200 – 50	200	10,0	10,0	600	0,7	●	■	●					
			230	200 – 800	200 – 50	200	10,0	10,0	600	0,7	●	■	●					
		S12	24	200 – 800	250 – 50	250	8,0 – 13,5	8,0	800	1,0	●	●	●	●	■	■	●	●
			230	200 – 800	250 – 50	250	8,0	8,0	450	0,2	●			●	■	■	●	■
	TWIN	S12	24	200 – 600	500 – 100	500	8,0 – 13,5	8,0	600	1,4	●	●		●	■	■	●	●
	KS4	Solo	S12	24	200 – 800	400 – 50	400	8,0 – 13,5	8,0	800	1,2	●	●	●	●	■	■	●
KSA	SOLO	S12	24	250 – 1500	600 – 50	600	8,0 – 13,5	8,0	800	1,2	●	●	●	●	■	■	●	●
			230	250 – 1500	600 – 50	600	8,0	8,0	800	0,2	●			●	■	■	●	●
	TWIN	S12	24	400 – 600	1200 – 600	1200	8,0 – 12,0	8,0	600	2,4	●	●		●	■	■	●	●
	D	S12	24	400 – 800	1200 – 400	1200	8,0 – 13,5	8,0	800	2,4	●	●		●	■	■	●	●

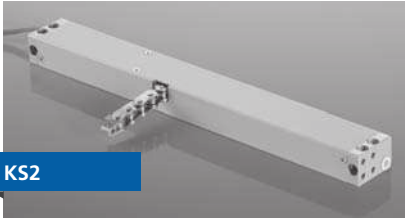
LEGEND

● suitable ■ not recommended

S2 internal load dependend cut-off switch

S12 internal intelligent cut-off switch for synchronised run and programmable functions

force and speed depend on the stroke



KS2



KS2 TWIN

KS2 CHAIN DRIVES

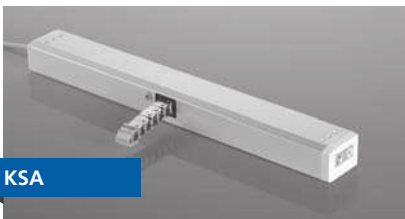
- Model 24V DC, S2/S12 and 230V AC, S12
- Pulling/Pushing force max. 250 N (TWIN 500 N)
- Stroke length 50 – 800 mm – programmable
- Speed 5 – 14 mm/s – programmable
- Housing (WxH) 42 x 26 mm, Length depending on stroke
- Opening mechanism Rigid back stainless steel sidebow roller chain
- Version R (Right), L (Left), TWIN, Z, Set 230V/24V
- Protection rating IP 32



KS4

KS4 CHAIN DRIVES

- Model 24V DC, S12
- Pulling/Pushing force max. 400 N
- Stroke length 50 – 800 mm – programmable
- Speed 5 – 14 mm/s – programmable
- Housing (WxH) 35 x 24 mm, Length depending on stroke
- Opening mechanism Rigid back stainless steel roller chain without protruding rivet heads
- Version R (right)
- Protection rating IP 32



KSA



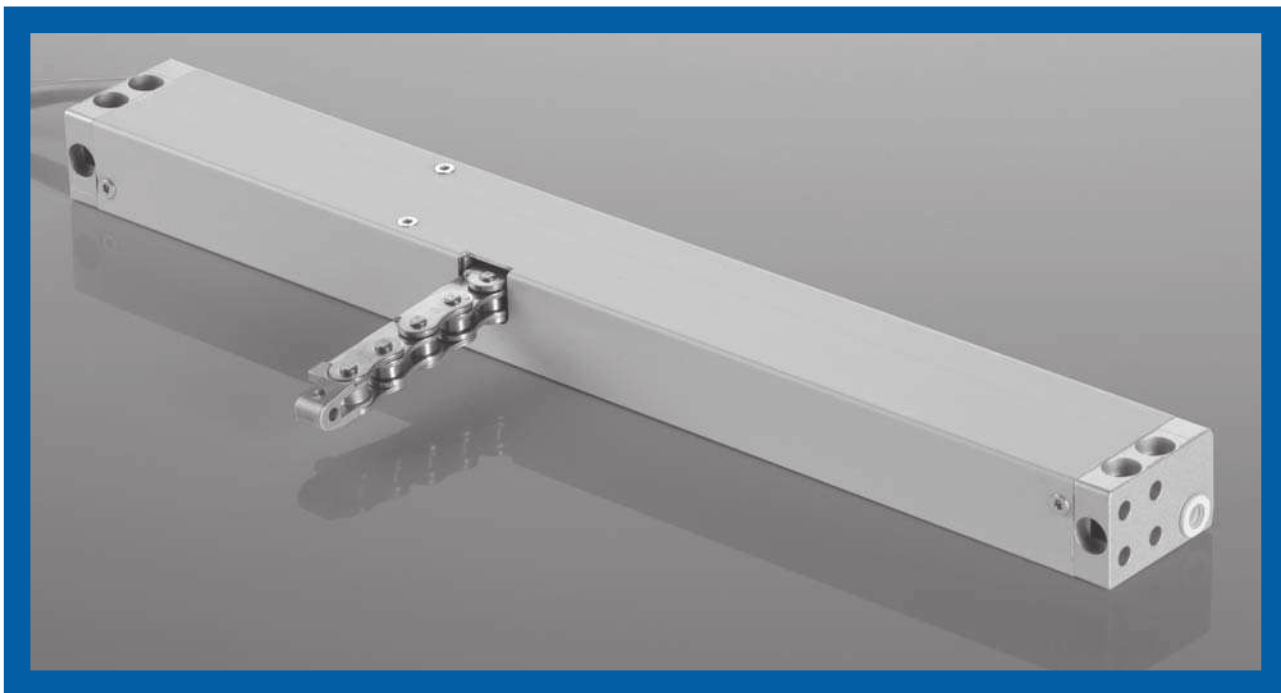
KSA TWIN



KSA D

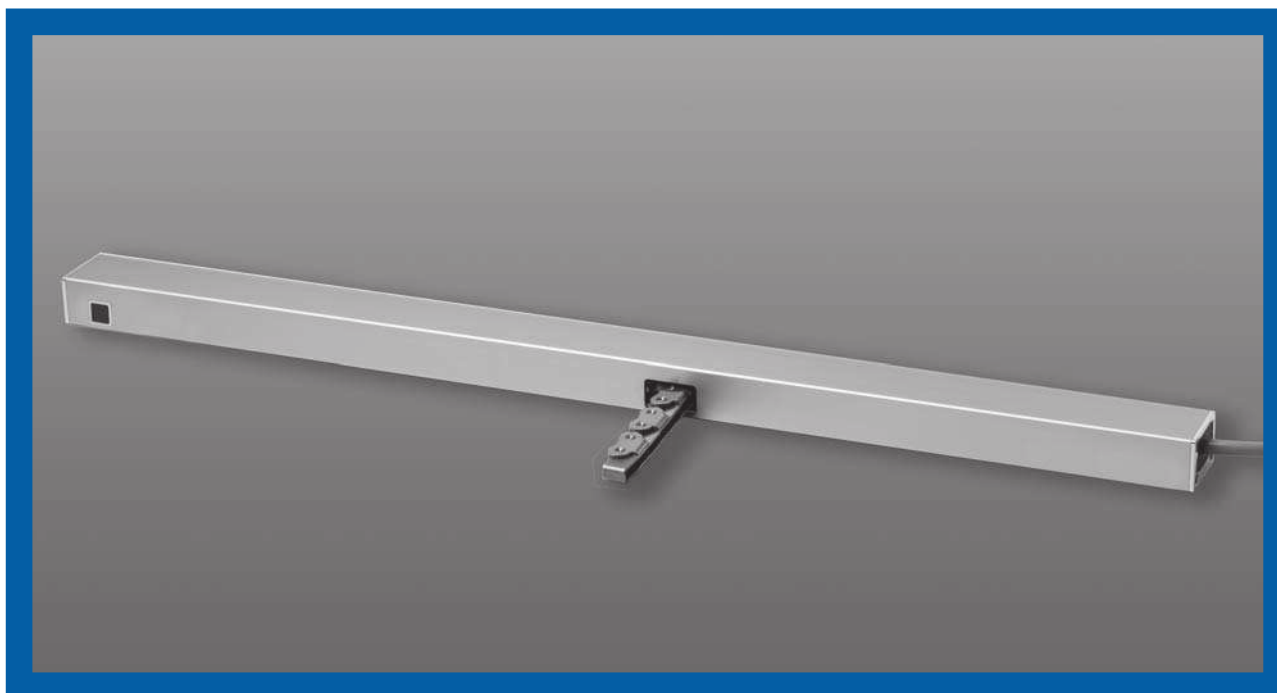
KSA CHAIN DRIVES

- Model 24V DC, S12 and 230V AC, S12
- Pulling/Pushing force max. 600 N (TWIN 1200 N)
- Stroke length 50 – 1500 mm – programmable
- Speed 5 – 14 mm/s – programmable
- Housing (WxH) 56 x 40 mm (D: 104 x 50 mm), Length depending on stroke
- Opening mechanism Rigid back stainless steel roller chain
- Version SOLO, TWIN, D, Z
- Protection rating IP 32



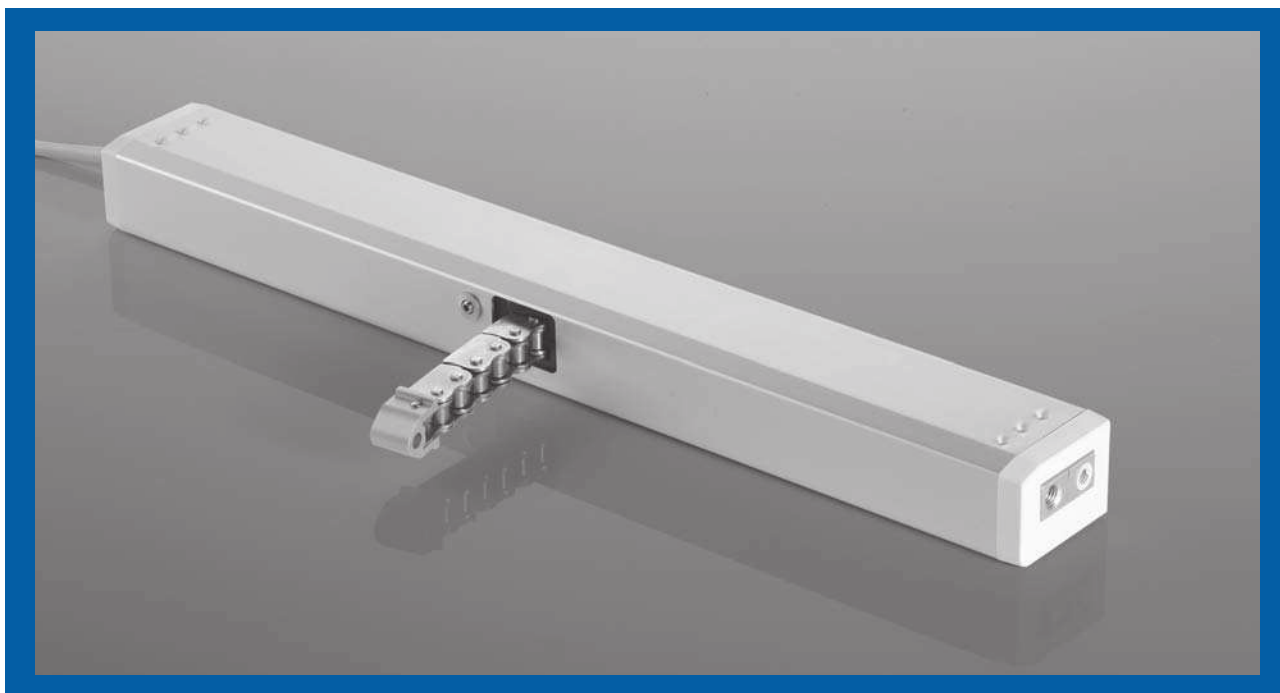
PRODUCT FEATURES KS2

- For natural ventilation, smoke and heat exhausting systems and ferralux® NSHEV (EN12101-2)
- Versions R (right) or L (left) or TWIN
- Aluminium housing anodized or RAL9016 finish, optional powder-coating according to RAL
- High-quality stainless steel sidebow roller chain
- Slim line body that suits concealed fitting within profiles
- Rigid drive mounting on frame without brackets
- Programmable parameters of intelligent S12 electronic cut-off switch
 - Synchronised multi-operation and sequence control without add. devices
 - Electronic soft-start, soft-close and soft-stop at end of stroke control
 - Stroke, force, speed
 - Rebate control



PRODUCT FEATURES KS4

- For natural ventilation, smoke and heat exhausting systems and ferralux® NSHEV (EN12101-2)
- Aluminium housing anodized or RAL9016 finish, optional powder-coating according to RAL
- High-quality stainless steel sidebow roller chain, without protruding rivet heads
- Slim line body that suits concealed fitting within profiles
- Rigid drive mounting on frame without brackets
- Feedback limit position „CLOSE“ (max. 24 V, 500 mA)
- Programmable parameters of intelligent S12 electronic cut-off switch
 - Feedback limit position „OPEN“ (max. 24V, 500 mA)
 - Synchronised multi-operation and sequence control without add. devices
 - Electronic soft-start, soft-close and soft-stop at end of stroke control
 - Stroke, force, speed
 - Rebate control



PRODUCT FEATURES KSA

- For natural ventilation, smoke and heat exhausting systems and ferralux® NSHEV (EN12101-2)
- TWIN and D versions with two chains and doubled force
- Adjustable chain tension
- Mechanical chain unlocking
- Aluminium housing anodized or RAL9016 finish, optional powder-coating according to RAL
- High-quality stainless steel roller chain
- Programmable parameters of intelligent S12 electronic cut-off switch
 - Synchronised multi-operation and sequence control without add. devices
 - Electronic soft-start, soft-close and soft-stop at end of stroke control
 - Stroke, force, speed
 - Rebate control