

## INSTALLATION AND COMMISSIONING INSTRUCTION

### Weather-Module WM

#### Weather-Module WM



**Part.-No.: 680180-9**

**Application:** Factory fitted module installed into an EMB 8000 and fully wired, for the connecting of weather sensors.

**Part.-No.: 680180**

**Application:** Module for the self installation on customer side into an EMB 8000 control unit for the connecting of weather sensors.

Operating voltage:	24 V DC
Detector line voltage:	24 V DC
Internal consumption:	13,0 mA
Housing (WxHxD):	100 x 120 x 22,5 mm, ABS (plastic), black
Module units:	1 ME
Inputs:	Wind sensor, rain sensor, wind direction sensor, external signals
Outputs:	Volt free relay contacts (change-over switch, 42V / 0,5A)
Display:	Operation, fault, wind / rain activ
Connections:	Plug-in terminals 1,5 mm <sup>2</sup> (rigid wire)
Feature / Equipment	Fixing on 35-mm mounting rail, configuration of the functional and performance features via configuration software EMB8000.

#### Weather-Module WM

Setting of functions requires the software of the control unit's manufacturer.

#### Functions:

- Has a connection possibility for wind and rain sensor.
- Has a wind direction finder for wind-dependent opening and closing in case of fire.
- Processes signals from external ventilation controls.
- Has connection for external relaying of signals.

#### Take the module into operation:

- Integrated module into the internal **BUS**.
- Position behind Power-Module **PM** / Power-Modul-Extension **PME** / Control-Module **CM** freely selectable.
- Fixing on 35-mm mounting rail.

#### Setting of wind velocity or wind direction-dependent opening and closing of smoke ex-haust vents:

- The triggering threshold of the wind sensor is factory-set to a value of 5 m/s. Changing the factory setting is only possible with our configuration software.
- The setting for wind direction-dependent opening and closing always requires a configuration of the control unit tailored to the respective case of application.



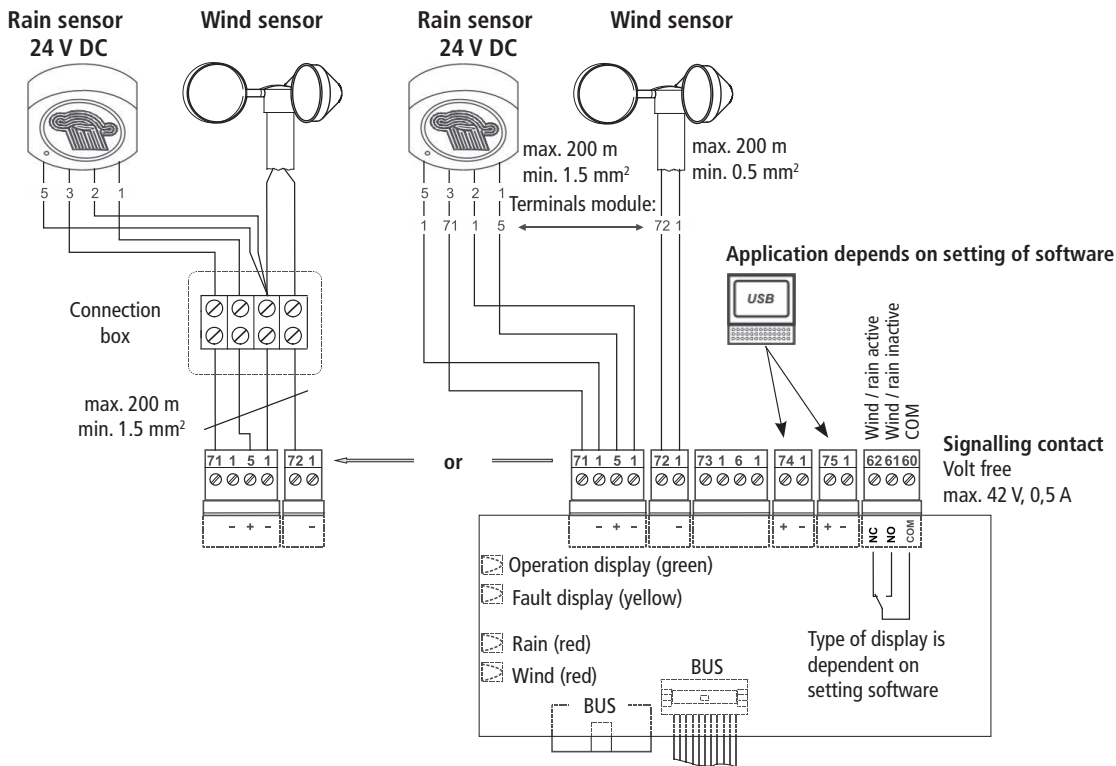
Warranty claims require proper and professional assembly, installation and maintenance in accordance with national regulations and manufacturer's instructions as to SHEV Control Unit. Always disconnect the system from power supply and back-up battery voltage prior to any installation or modification work on the control unit.



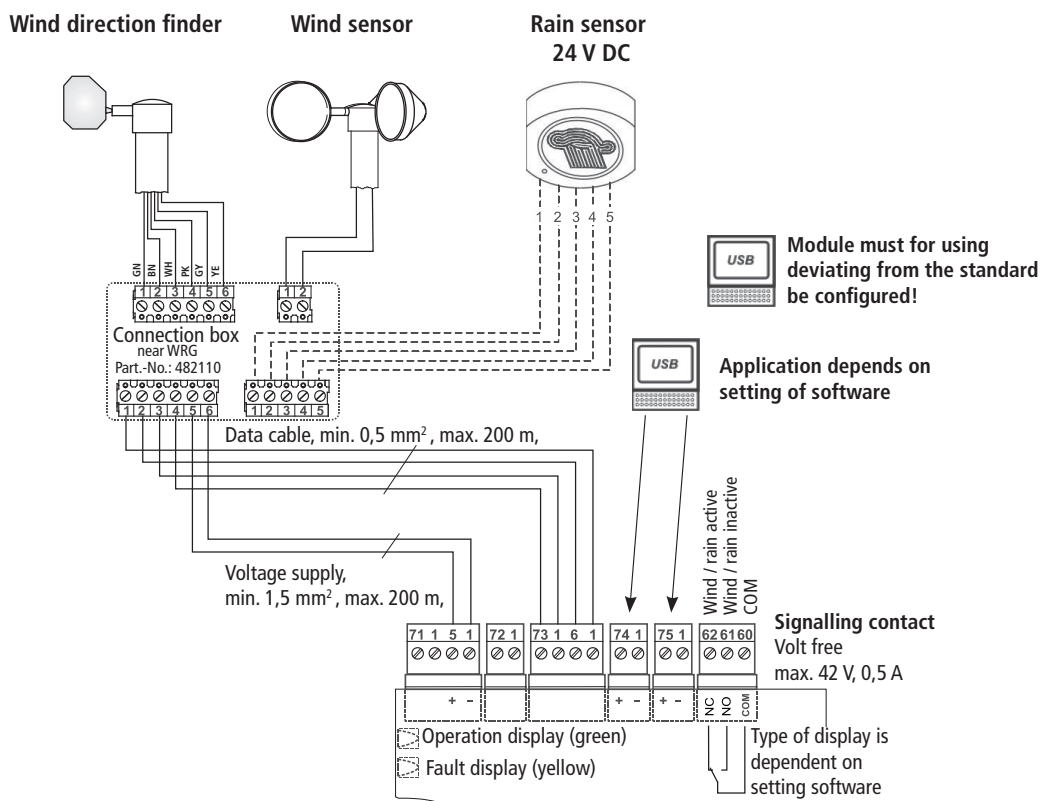
Strictly observe the information given in the SHEV Control Unit **EMB 8000** description when mounting the Weather-Module **WM**. Setting of functions requires the software of the control unit's manufacturer. Keep this instruction over the lifetime of the control unit.

CONNECTION: WEATHER-MODULE WM

Connection: Wind and rain sensor to Weather-Module WM







Connection: Wind direction-dependent opening and closing






## TROUBLESHOOTING AND REPAIR

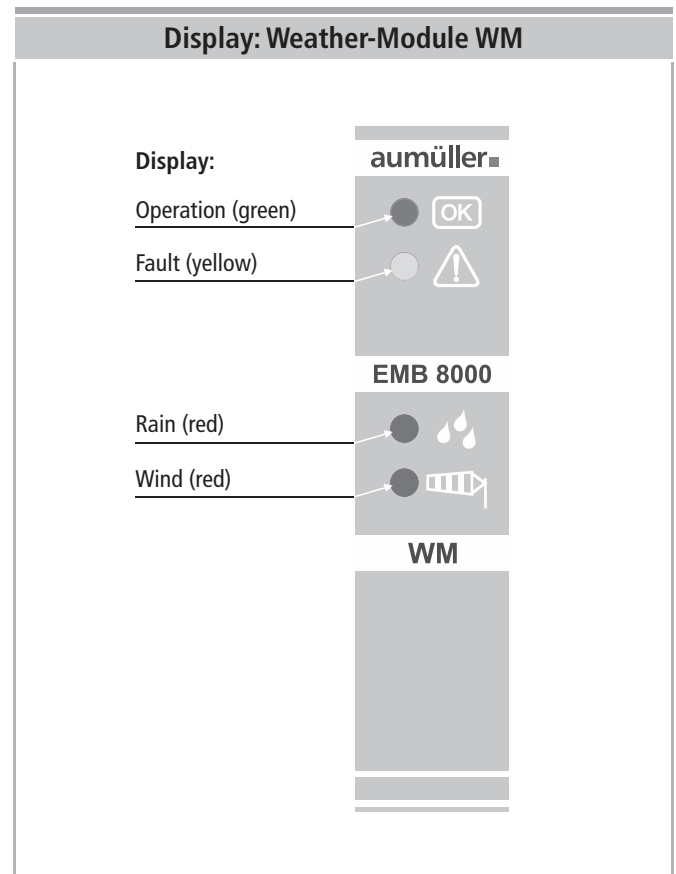
All functions and system components that are important for the SHEVS operation are constantly monitored for faults. A fault indication signals the type of fault and, respectively, possible errors when connecting system components during commissioning of the Control Unit.

Fault: Weather-Modul WM		
Fault	Cause / possible solution	
 green	no signal	
 yellow		Fault from rain or wind sensor or also from wind direction finder if applicable
 green		Communications fault <b>BUS</b> connection (at control module <b>CM</b> )

## INDICATOR AND CONTROL ELEMENTS

Display the operating state	
Icon	Importance
	<b>Display green:</b> <u>Permanently lit:</u> Correct conditions <u>Blinks:</u> Back-up battery operation (power failure) <u>No signal:</u> Back-up battery operation (power failure)
	<b>Display red:</b> Rain sensor and / or Wind sensor are aktiv.

Displays of status: Fault	
Icon	Importance
	<b>Display yellow:</b> Fault





**[www.aumueller-gmbh.de](http://www.aumueller-gmbh.de)**

AUMÜLLER AUMATIC GMBH  
Gemeindewald 11  
86672 Thierhaupten

Tel. +49 8271 8185-0  
Fax +49 8271 8185-250  
[info@aumueeller-gmbh.de](mailto:info@aumueeller-gmbh.de)

9000018701\_V0.1\_KW33/14