

## INSTALLATION AND COMMISSIONING INSTRUCTION

### Drive-Module DM

#### Drive-Module DM



**Part.-No.: 680250-9**

**Application:** Factory fitted module installed into an EMB 8000 and fully wired, for the controlling of drives, gas-pressure generators and magnetic locks.

**Part.-No.: 680250**

**Application:** Module for the self installation on customer side into an EMB 8000 control unit for the controlling of drives, gas-pressure generators and magnetic locks.

Operating voltage:	24 V DC
Output voltage:	24 V DC (20 – 28 V DC / 0,5 Vpp)
Internal consumption:	5,3 mA
Output current:	<b>10 A</b>
Housing (WxHxD):	<b>100 x 120 x 22,5 mm</b> , ABS, black
Module units:	1 ME
Inputs:	Vent. buttons (max. 10 pcs.), feedback contact OPEN / CLOSE
Outputs:	Drive line (gas-pressure generators / magnetic locks)
Display:	Power, fault, alarm, running direction OPEN / CLOSE
Control elements:	Front push button: OPEN / CLOSE
Connections:	Plug-in terminals 1 mm <sup>2</sup> (rigid wire), Drives: 2,5 mm <sup>2</sup> , Blade terminals 6,3 mm: Power supply, socket and plug with cable for internal BUS

#### Functions:

- Has a connection for electromotive drives up to max. **10 A**
- With appropriate programming, triggering of gas pressure generators or magnetic clamps is also possible.
- The drive line is being monitored by closed-circuit current (short circuit, interruption).
- Processes signals from ventilation buttons and if needed line end signals from drives.
- Has connections for external relaying of line end status signal.

#### Take the module into operation:

- Integrated module into the internal **BUS**.
- Position behind Power-Module **PM** / Power-Modul-Extension **PME** / Control-Module **CM** freely selectable.
- Fixing on 35-mm mounting rail.



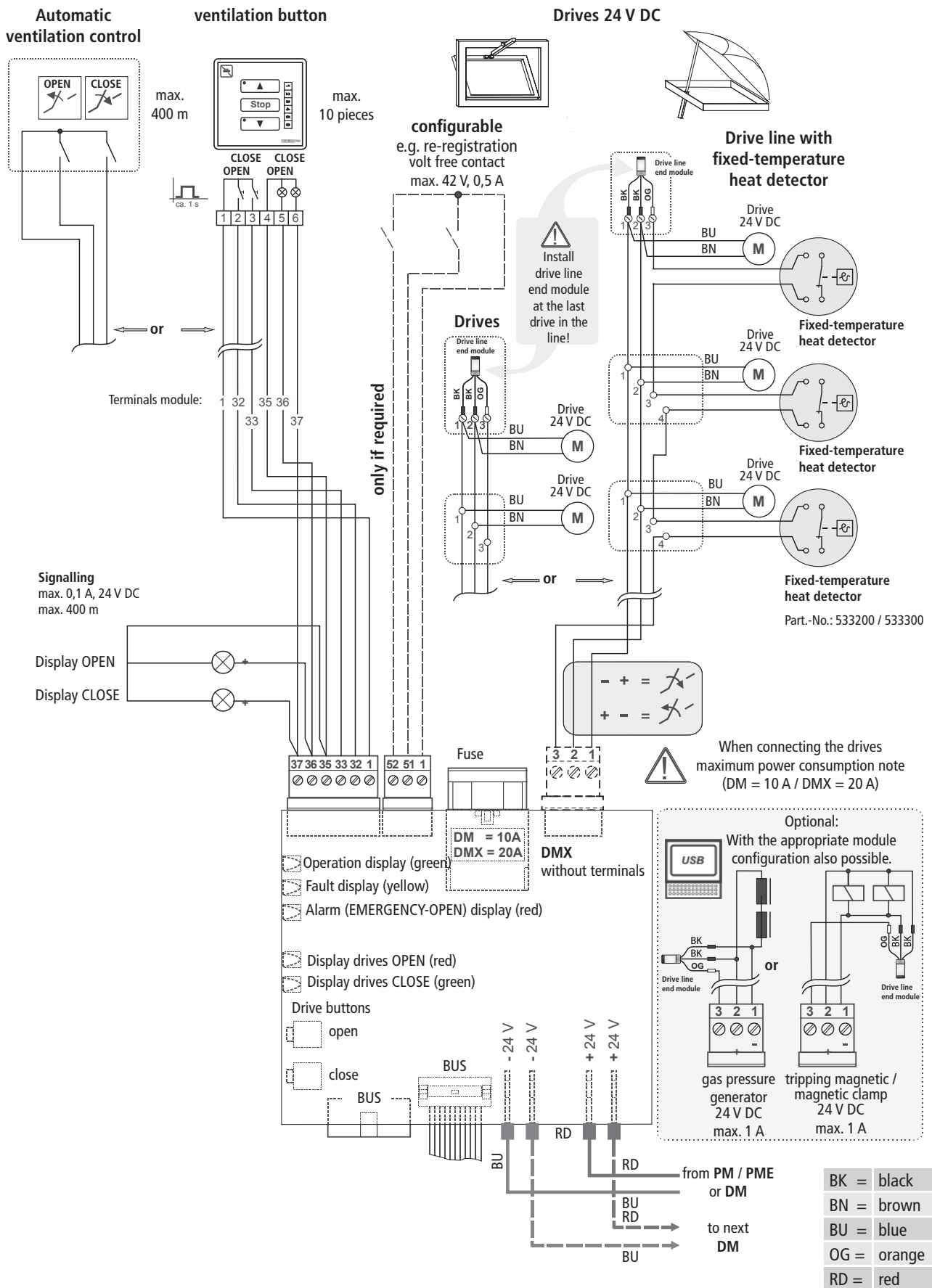
Warranty claims require proper and professional assembly, installation and maintenance in accordance with national regulations and manufacturer's instructions as to SHEV Control Unit. Always disconnect the system from power supply and back-up battery voltage prior to any installation or modification work on the control unit.



Strictly observe the information given in the SHEV Control Unit **EMB 8000** description when mounting the Drive-Module **DM**. Setting of functions requires the software of the control unit's manufacturer. Keep this instruction over the lifetime of the control unit.

CONNECTION: DRIVE-MODULE DM

Connection: Drive-Module DM (10A) (VdS-tested)



## INDICATOR AND CONTROL ELEMENTS

Display the operating state	
Icon	Importance
	<b>Display green:</b> Permanently lit: Correct conditions Blinks: Back-up battery operation (power failure) No signal: Back-up battery operation (power failure)
	<b>Display green:</b> Vents are closed.
	<b>Display red:</b> Vents are open.

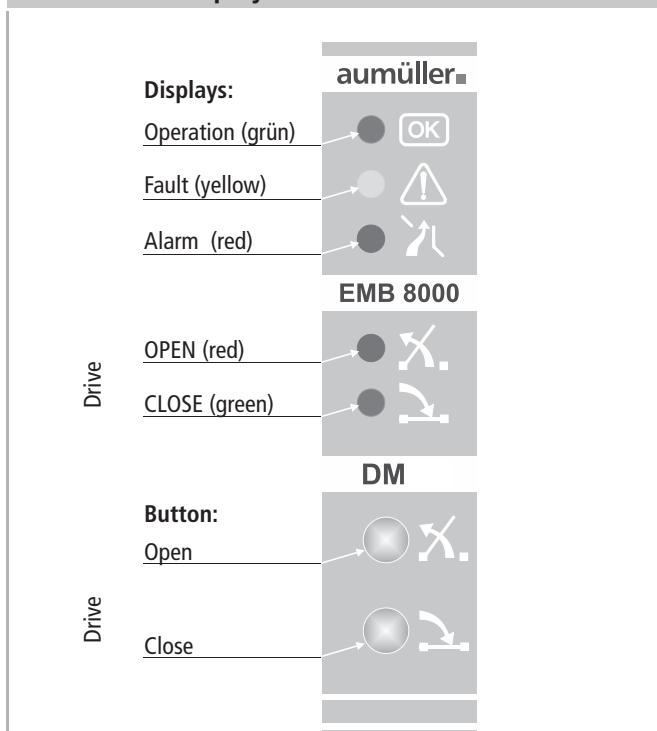
### Displays: Triggering of Alarm / EMERGENCY-OPEN

Icon	Importance
	<b>Display red:</b> Automatic or manual triggering of EMERGENCY-OPEN
	<b>Display red:</b> Smoke and heat vents are polarized in the direction of opening.

### Displays of status: Fault

Icon	Importance
	<b>Display yellow:</b> Fault

### Display: Drive-Module DM



## TROUBLESHOOTING AND REPAIR

All functions and system components that are important for the SHEVS operation are constantly monitored for faults. A fault indication signals the type of fault and, respectively, possible errors when connecting system components during commissioning of the Control Unit.

### Drive-Module DM (10A)

Triggering of alarm (EMERGENCY-OPEN)		Cause / possible solution
	red	Open smoke vents (drives)
	red	Open smoke vents open at back-up battery operation

Displays also valid for external LEDs (breakglass unit)

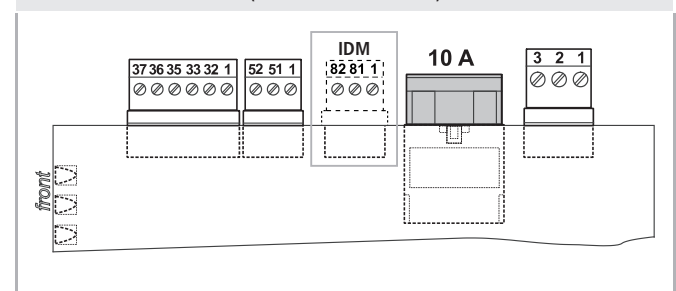
Fault	Cause / possible solution
	No correct BUS connection (check ribbon cable) or Fault at control module CM (check power supply)
	and
	Fuse defective (DM = 10A) (check and replace if need be) or Short circuit or line interruption at drive line (check the line end module) or Fault in power supply of module

## FUSE

The fuse is located on top of the respective module. The following modules are secured with fuses:

### Fuse: Drive-Module DM

F = 10 A  
(flat fuse ISO 8820-3)





**[www.aumueller-gmbh.de](http://www.aumueller-gmbh.de)**

AUMÜLLER AUMATIC GMBH  
Gemeindewald 11  
86672 Thierhaupten

Tel. +49 8271 8185-0  
Fax +49 8271 8185-250  
[info@aumuedler-gmbh.de](mailto:info@aumuedler-gmbh.de)

9000018901\_V0.1\_KW31/14