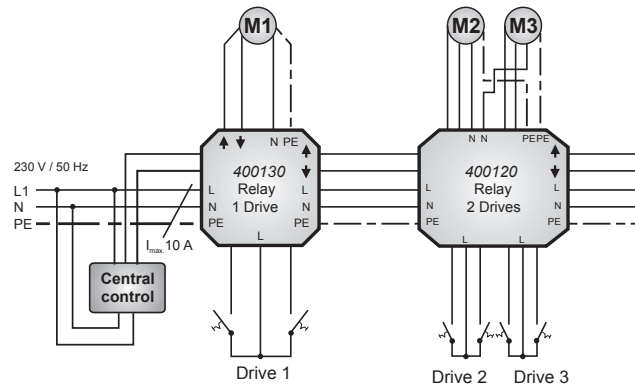


### SIMPLIFIED DIAGRAMM – CONTROL RELAY



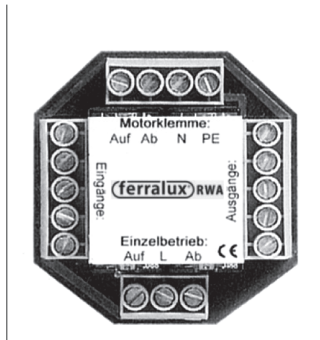
### ORDER DATA

Part.-No.

Universal Control Relay for 1 drive 230 V AC

400130

**Application:** Control Relay for the single or group-wise control of 1 drive 230 V AC, suitable for the installation in a flush-mounted junction box behind the ventilation button.



#### TECHNICAL DATA (Rated values)

|                            |  |
|----------------------------|--|
| Operating voltage:         | 230 V AC (+/-10%), 50 Hz   |
| Output voltage:            | 230 V AC   |
| Current consumption relay: | 10 mA  |
| Operating capacity:        | <b>5 A</b>   |
| Duty cycle:                | ED30% (10 min)   |
| Ambient temperature range: | 0 °C ... +60 °C  |
| Connections:               | 1 Ventilation button 230 V AC<br>1 Central OPEN/CLOSE (input / output)<br>1 Drive 230 V AC / 5 A |
| Operating mode:            | Dead-man mode  |
| Housing:                   | Plastic (ABS), for flush mounting junction box $\varnothing$ 60 mm                               |
| Dimensions (WxHxD):        | 46 x 52 x 30 mm  |
| Connection terminals:      | Screw terminal 1,5 mm <sup>2</sup> (rigid wire)  |
| Protection rating:         | IP20   |

#### Feature/Equipment

- Every Control Relay has an inputs and outputs for looping through of a higher priority command (i.e. from ventilation buttons or time switch) and the power supply
- The ventilation input controls the modul-own drive output only

Relay Interface for 2 drives 230 V AC

400120

**Application:** Relay Interface for the single or group-wise control of 2 drives 230 V AC, suitable for the installation in a flush-mounted junction box behind the ventilation button.



#### TECHNICAL DATA (Rated values)

|                            |  |
|----------------------------|--|
| Operating voltage:         | 230 V AC (+/-10%), 50 Hz   |
| Output voltage:            | 230 V AC   |
| Current consumption relay: | 10 mA  |
| Operating capacity:        | <b>5 A per output</b>  |
| Duty cycle:                | ED30% (10 min)   |
| Ambient temperature range: | 0 °C ... +60 °C  |
| Connections:               | 2 Ventilation buttons 230 V AC<br>1 Central OPEN/CLOSE (input / output)<br>2 Drives 230 V AC / 5 A |
| Operating mode:            | Dead-man mode  |
| Housing:                   | Plastic (ABS), for flush mounting junction box $\varnothing$ 70 mm                                 |
| Dimensions (WxHxD):        | 60 x 60 x 30 mm  |
| Connection terminals:      | Screw terminal 1,5 mm <sup>2</sup> (rigid wire)  |
| Protection rating:         | IP20   |

#### Feature/Equipment

- Every Relay Interface has an inputs and outputs for looping through of a higher priority command (i.e. from ventilation buttons or time switch) and the power supply
- Each ventilation input controls its own drive output only