

ORDER DATA

Part.-No.

Ventilation button 230 V AC

Application: Ventilation button for connection to the push button input of 230 V AC power supplies or for direct control of 230 V AC drives.

Picture: Surface mounting



TECHNICAL DATA (Rated values)

Contact type:	2 NO switches
Switching capacity:	max. 230 V AC (10 A)
Housing:	plastic, white (similar to RAL 9016)
Dimensions (WxHxD):	Surface mounting: 81 x 81 x 54 mm Flush mounting: 81 x 81 x 11 mm (of visible surfaces)
Connections:	Plug-in terminal 1,5 mm ² (rigid wire)
Protection rating:	IP20
Functions:	OPEN/CLOSE dead-man (push to run mode)

Feature/Equipment

- Push buttons **with** mechanical locking, the drive move as long as a button is pushed

VERSIONS

Surface mounting	529530			
Flush mounting (in box Ø60 mm)	529630			

Rotary ventilation switch 230 V AC

Application: Rotary switch for connection to the push button input of 230 V AC power supplies or for direct control of 230 V AC drives.

Picture: Surface mounting



TECHNICAL DATA (Rated values)

Contact type:	2 NO switches
Switching capacity:	230 V AC / 10 A
Housing:	plastic, white (similar to RAL 9016)
Dimensions (WxHxD):	Surface mounting: 81 x 81 x 54 mm Flush mounting: 81 x 81 x 11 mm (of visible surfaces)
Connections:	Plug-in terminal 1,5 mm ² (rigid wire)
Protection rating:	IP20
Functions:	OPEN-STOP-CLOSE

Feature/Equipment

- Switch **with** mechanical locking,

VERSIONS

Surface mounting	529550			
Flush mounting (in box Ø60 mm)	529650			

Room temperature controller

483200

Application: Thermostat as on-off controller for room temperature detection.



TECHNICAL DATA (Rated values)

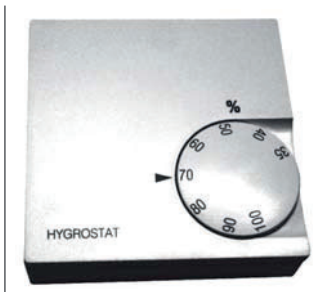
Measuring element:	Bimetal switch
Contact type:	1 change-over switch
Switching capacity:	230 V AC / 5 A
Settings:	0 – 30 °C
Housing:	Surface mounting, plastic, white
Dimensions (WxHxD):	74,5 x 74,5 x 25 mm
Connections:	Screw terminal 1,5 mm ² (rigid wire)
Protection rating:	IP30

Feature/Equipment

- Connection to **ventilation inputs** of SHEV or natural ventilation control units

ORDER DATA

	Part.-No.			
Hygrostat	483050			
Application: Hygrostat as on-off controller for room humidity detection.				



TECHNICAL DATA (Rated values)

Measuring element:	Bimetal switch
Contact type:	1 Change-over switch
Switching capacity:	230 V AC / 5 A
Settings:	35 – 100% humidity
Housing:	Surface mounting, plastic, white
Dimensions (WxHxD):	74,5 x 74,5 x 25 mm
Connections:	Screw terminal 1,5 mm ² (rigid wire)
Protection rating:	IP30

Feature/Equipment

- Connection to **ventilation input** of SHEV or natural ventilation control units

CO2 – Air quality sensor	483710			
Application: Sensor for the detection and evaluation of the CO2 concentration inside rooms.				



TECHNICAL DATA (Rated values)

Operating voltage:	24 V DC (+/-5%)
Measuring element:	electronic
Contact type:	2 Normal open switch
Pulse duration:	3,5 sec.
Switching capacity:	230 V AC / 0,5 A
Measuring range:	0 – 3000 ppm CO2
Housing:	Surface mounting, plastic, white
Dimensions (WxHxD):	78 x 78 x 35 mm
Connections:	Screw terminal 1,5 mm ² (rigid wire)
Protection rating:	IP30
Display:	3 LED (green, yellow, red)

Feature/Equipment

- Connection to **ventilation input** of SHEV or natural ventilation control units

Conservatory Control WG 3006	484001			
Application: Control of 230 V drives. For opening and closing of conservatories, terraces and balconies canopies - manually and depends on the internal temperature. It may be a 230 V rain sensor can be connected.				



TECHNICAL DATA (Rated values)

Operating voltage:	230 V AC
Contact type:	1 change-over switch
Switching capacity:	230 V AC / 3 A
Settings:	5 – 30 °C
Housing:	Surface mounting, plastic, white
Dimensions (WxHxD):	127 x 74 x 24 mm
Connections:	Screw terminal 1,5 mm ² (rigid wire)
Protection rating:	IP30

Feature/Equipment

- Thermostat with switch hand/automatic and rocker-switch OPEN/CLOSE

ORDER DATA

Part.-No.

WRAG2 – Wind / Rain evaluation unit

482005

Application: For the evaluation of wind and rain signals from wind and rain sensors Type 7x/8x or rain sensors operating with 24 V DC and their transmission via 2 volt free contacts, with additional input for connecting of ventilation buttons (or time switches etc.).

**TECHNICAL DATA (Rated values)**

Operating voltage:	230 V AC, 50 Hz
Standby consumption:	<100 mA
Inputs:	Rain sensor 24 V DC, wind sensor, ventilation button
Display:	Power, wind, rain
Wind speed range:	2,5 – 20 m/s, adjustable
Outputs:	2 Change-over switches, 230 V AC / 5 A
Housing:	plastic, surface RAL 7035, bottom RAL 7021
Dimensions (WxHxD):	105 x 86 x 58 mm
Installation:	35-mm mounting rail
Connections:	Screw terminals 1,5 mm ² (rigid wire)
Protection rating:	IP40

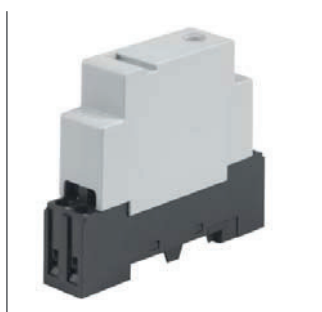
Feature/Equipment

- Signal transmission for wind or/and rain (separately or together) adjustable via 4 DIP switches, direct connection of drives up to max. 5 A, switch-on time delay for wind and rain signal, and switch-off time delay for wind signal

REL-WRAG2 – Relay for contact multiplier

487020

Application: Relay as contact multiplier of output signals of wind and rain evaluation unit WRAG2.

**TECHNICAL DATA (Rated values)**

Operating voltage:	230 V AC, 50 Hz
Contact type:	2 Change-over switches
Switching capacity:	230 V / 8 A
Connections:	Screw terminal 1,5 mm ² (rigid wire)

Feature/Equipment

- With base for installation on 35-mm mounting rail

Compact distributor housing for WRAG2

482011

Application: Surface mounting distributor housing for the installation and wiring of wind and rain evaluation WRAG2 and max. 2 relays.

**TECHNICAL DATA**

Material:	plastic (ABS)
Type of installation:	Surface mounting
Protection rating:	IP30
Dimensions (WxHxD):	182 x 180 x 82 mm
Reserve space:	2 REL-WRAG2

Feature/Equipment

- w/o fixing screws

ORDER DATA

Part.-No.

Distributor housing for WRAG2

482015

Application: Surface mounting distributor housing for the installation and wiring of wind and rain evaluation WRAG2 and max. 6 relays.



TECHNICAL DATA

Material:	plastic (ABS)
Type of installation:	Surface mounting
Protection rating:	IP30
Dimensions (WxHxD):	303 x 245 x 95 mm
Reserve space:	6 REL-WRAG2

Feature/Equipment

- w/o fixing screws

Wind and rain evaluation Type IV

482008

Application: For the evaluation of wind and rain signals from wind and rain sensors Type 7x/8x or rain sensors operating with 24 V DC and their transmission via 3 volt free contacts.



TECHNICAL DATA (Rated values)

Operating voltage:	230 V AC, 50 Hz
Standby current:	<100 mA
Inputs:	Rain sensor 24 V DC, wind sensor
Display:	Power, wind, rain
Wind speed range:	2,5 – 10 m/s, adjustable
Outputs:	3 Change-over switches, 5 A / 230 V AC
Housing:	plastic, surface RAL 7035, bottom RAL 7021
Dimensions (WxHxD):	212 x 180 x 80 mm
Installation:	Surface mounting
Connections:	Screw terminal 1,5 mm ² (rigid wire)
Protection rating:	IP40

Feature/Equipment

- Direct connection of drives up to max. 5 A, switch-on time delay for wind and rain signal, and switch-off time delay for wind signal
- Suitable for surface mounting

Wind and rain sensor set Typ IV

481990

Application: Set consisting of wind and rain evaluation Type IV with wind and rain sensor set Type 7x/8x, for the evaluation of wind and rain signals and their transmission via 3 volt-free contacts.



TECHNICAL DATA

See wind and rain control unit Type IV and wind and rain sensor set Type 7x/8x.

Feature/Equipment

- Set including: Wind and rain evaluation (Part.-No. 482008), Wind sensor Type III (Part.-No. 482021), rain sensor Type III (Part.-No. 480210), clamp ring (Part.-No. 519950), bracket for pole or wall mounting (Part.-No. 482093), without mounting screws

ORDER DATA

Part.-No.

Wind sensor Type III

482021

Application: Anemometer with 3 impact resistant wind cups (PA6) for wind speed detection.**TECHNICAL DATA (Rated values)**

Operating voltage:	24 V DC (+/- 20%)
Measuring principle:	Pulse generator, ball bearing
Housing:	Aluminium Ø36 mm, untreated
Wind cups:	PA6, black
Dimensions:	250 x 250 x 80 mm
Connection cable:	non-halogen cable, approx. 4 m

Feature/Equipment

- For connection with: EMB7300 control units, WM Weather-Module (EMB8000), wind/rain controls WRAG2 and Type IV. With clamp ring for fixing on all the wall/pole brackets with outer diameter Ø36mm

COMPONENTS

Cups for wind sensor Type III

490601

Clamp ring for wind sensor Type III

515950

Rain sensor Typ III 24 V DC

480210

Application: Rain sensor with heated sensor surface and internal control with volt free output contact.**TECHNICAL DATA (Rated values)**

Operating voltage:	24 V DC (+/- 20%)
Standby current:	<150 mA
Measuring principle:	Conductivity measurement, heated sensor
Hysteresis:	5 min
Display:	Output active
Output:	Change-over switch, 5 A / max. 48 V
Protection rating:	IP65
Housing:	Surface mounting, ABS black with bracket (stainless steel)
Dimensions:	100 x 85 x 172 mm
Connection cable:	non-halogen cable, approx. 4 m

Feature/Equipment

- For connection with: EMB7300 control units, WM Weather-Module (EMB8000), wind / rain controls WRAG2 and Type IV

Rain sensor Typ III 230 V AC

480110

Application: Rain sensor with heated sensor surface and internal control with volt free output contact.**TECHNICAL DATA (Rated values)**

Operating voltage:	230 V AC (50 Hz)
Power consumption:	<1,5 VA
Measuring principle:	Conductivity measurement
Display:	Output active
Output:	Change-over switch, 5 A / max. 230 AC
Protection rating:	IP65
Housing:	Surface mounting, ABS black with bracket (stainless steel)
Dimensions:	100 x 85 x 172 mm
Connection cable:	non-halogen cable, approx. 4 m

Feature/Equipment

- Single device for the feed from electric mains power supply

ORDER DATA

		Part.-No.		
WR-Set Type 7x/8x – Wind and Rain Sensor Set		482100		
Application: Sensors for wind and rain to work with an evaluation unit WRAG2 or Typ IV, a WM Weather-Module or directly with a SHEV control unit, for closing and blocking the natural ventilation under bad weather conditions.				



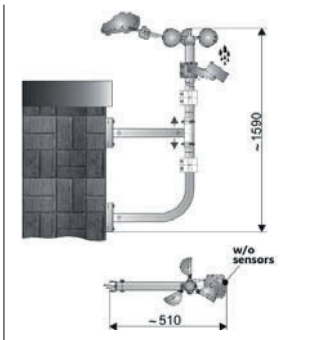
TECHNICAL DATA (Rated values)

Rated voltage:	24 V DC (+/- 20%)
Rain sensor Type III – heated sensor surface, switch-off delay approx. 5 min.	
Contact:	1 Change-over switch, max. 48 V / 5A
Current consumption:	<150 mA
Housing:	Surface mounting, ABS black with stainless steel bracket
Dimensions (WxHxD):	100 x 85 x 172 mm
Connection cable:	Non-halogen cable, approx. 4 m
Volt free contac:	1 Change-over switch, max. 48 V / 1A
Wind sensor Type III – Anemometer with 3 impact resistant wind cups (PA6)	
Measuring principle:	Pulse generator
Dimensions:	250 x 250 x 80 mm
Connection cable:	non-halogen cable, approx. 4 m

Feature/Equipment

- Set including: Wind sensor Type III (Part.-No. 482021), rain sensor Type III (Part.-No. 480210), clamp ring (Part.-No. 515950), aluminium bracket for pole or wall mounting (Part.-No. 482093), without mounting screws

Wall bracket for wind and rain sensor		491200		
Application: Wall bracket with dual fixings for wind and rain sensors.				



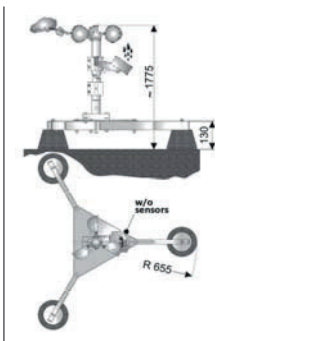
TECHNICAL DATA

Height:	app. 1590 mm
Outreach:	app. 510 mm
Material:	Aluminium Ø36mm

Feature/Equipment

- w/o fixing screws and sensors

Pole bracket for wind and rain sensors		491101		
Application: Pole bracket for the fixing of wind and rain sensors at flat roofs.				



TECHNICAL DATA

Height:	app. 1775 mm
Base area:	app. Ø1310 mm
Material:	Aluminium Ø36mm with 3 stable concrete feet

Feature/Equipment

- w/o sensors

ORDER DATA

Part.-No.

WRG-Set – Wind direction sensor

482120

Application: Sensor for wind direction detecting to work with an evaluation unit or a WM Weather-Module for the wind direction depending OPENING / CLOSING of windows in case of fire.

**TECHNICAL DATA (Rated values)**

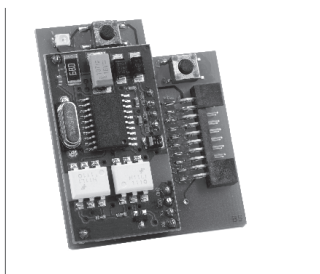
Operating voltage:	24 V DC (+/- 20%)
Wind direction sensor – ball bearing measuring element with wind vane	
Measuring range:	8 wind directions
Material:	Revolving head: PA6 black, wind vane: stainless steel
Connection cable:	Non-halogen 6 x 0,34 mm ² , length ca. 3 m
Junction box with circuit board and screw terminals	
Connections:	WRG, wind sensor Type III, rain sensor TYP III
Housing (WxHxD):	110 x 110 x 66 mm, IP54
Connections:	Screw terminals 1,5 mm ² (rigid wire),

Feature/Equipment

- Set including: Wind direction sensor (Part.-No. 482120), Junction box (Part.-No. 482110), clamp ring (Part.-No. 515950), aluminium bracket for pole or wall mounting (Part.-No. 482093), without mounting screws

ORDER DATA

		Part.-No.		
BI-K - KNX Interface LZ1 / LZ6 / EMB 7300		683999		
Application: Plug-in card for communication between the controllers AUMÜLLER LZ1, LZ6 and EMB 7300 to the KNX BUS system.				



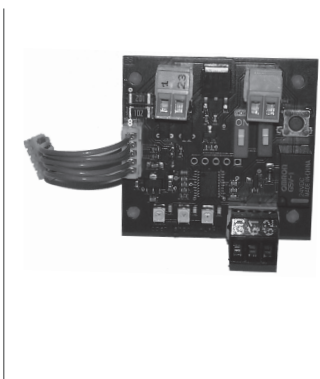
TECHNICAL DATA

Rated voltage:	24 V DC
Ambient temperature range:	-5°C ... +40°C
Relative humidity:	(no condensate) 5% ... 90%
Data points:	up to 16 pieces per drive line
BUS current:	9mA
Housing:	without (assembled PCB)
Dimensions (WxH):	51 x 42 mm
Connection terminals:	2 x 2 x 0,8 mm (KNX-BUS-Terminal)

Feature/Equipment

- Data of the control (e.g. drive position) are sent on the KNX-BUS.
- The controls received direct orders from the KNX-BUS (e.g. position information, weather data).
- The licensed version of the „EMB compact configurator“ required - for commissioning.

SHEV-Module LZ6		660066		
Application: SHEV-Module for connecting of one or more smoke detectors (max. 10) to a LZ6 ventilation control unit.				



TECHNICAL DATA

Rated voltage:	24 V DC
Housing:	without (assembled PCB)
Dimensions (WxH):	45 x 42 mm
Ambient temperature range:	-5 °C ... +60 °C
Relative humidity:	(no condensate) 5% ... 90%

Feature/Equipment

- The smoke detector is triggered with the highest priority and leads to the complete opening of the drives connected to the LZ6. All other ventilation commands are locked. This condition is indicated by the alarm LED.