



Available in

2,5 A

5 A

10 A

20 A

VdS

tested  
 electrical control  
 device EMB 7300  
 with  
 recognition number  
 G 514001

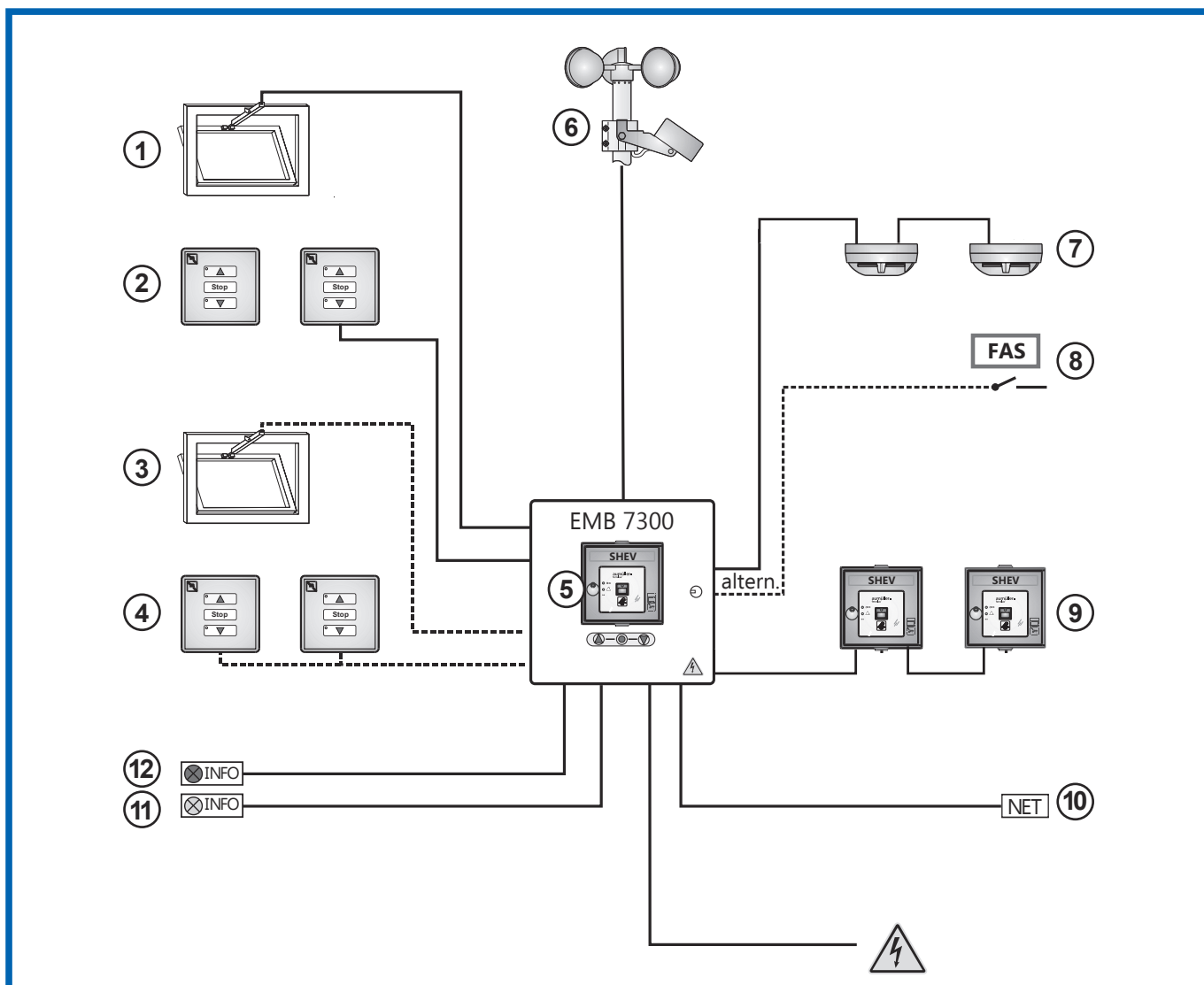
### EMB 7300 - THE COMPACT SOLUTION FOR ALL CASES

- To fit perfectly
  - Cable entry from top / bottom / rear
  - Plug-in terminals for simplified connection
  - Housing door removable for better accessibility
  - Cost saving because of quick and easy installation
- Configuration with user-friendly software
  - Configuration can be created without the center
  - A configuration created can be imported into any number of centers
    - saves time during installation on site
- Connection to a BMS via LON and KNX
  - Integration of the centers in a BMS possible
  - Distributed SHEV and ventilation systems possible
- Currents of 2,5A to 20A available: One control unit - many uses
- Certification
  - According VdS guidelines for natural smoke extraction systems
  - According EN 12101-10
- Highest functionality without additional modules through the „EMB compact“ software

### PRODUCT FEATURES EMB 7300

- Controls 24 V DC drives for smoke and heat exhaust in case of fire and for natural ventilation
- Control panel compliant with prEN 12101-9
- Power supply compliant with EN 12101-10
- Low ripple voltage output (< 2 Vpp) - compatible with all common drives
- 1 SHEV-Group output with 1 (optional 2) monitored ventilation line(s)
- Removable terminals for easy connection of signal lines
- Connection of electric motors, compressed gas equipment and retention magnets
- 2 detector line inputs with line monitoring to connect:
  - Manual break-glass units (HSE),
  - Automatic smoke and heat detectors or fire alarm control unit
- 1 Ventilation line input (optionally 2) with OPEN-STOP-CLOSE function
- 2 Plug-in module slots for signal monitoring and transduction (emergency open, fault)
- 1 Network port for connection and integration in building management systems (LON, KNX)
- Direct connection input for wind and rain sensors
- Clear operating and display elements
- Extensive setting options via „EMB compact“ software
- Housing (optional) with integrated break-glass unit and ventilation button (2,5 A / 5 A)
- Lead frame usable for flash mounting (2,5 A / 5 A)
- Cable entry from above, below or behind of the housing
- Prepared for connection of backup batteries (72 hours)
- VdS certification no.: G 514001

SOFTWARE FUNCTIONS		
Functions	Standard	License
Set ventilation inputs from dead-man to jog-switch mode (in OPEN and / or CLOSE direction)	✓	✓
Set failures of drive line monitoring as alarm signal	✓	✓
Disable alarm function caused by failures of detector line monitoring	✓	✓
Adjust switching threshold of wind sensor	✓	✓
Set drive run time and opening stroke limit for ventilation purpose	✓	✓
Enable and set automatic time-controlled drive line closing mode for ventilation purpose	✓	✓
Enable drive line closing mode on primary power loss	✓	✓
Set acoustic or optical warning signals (additional hardware required)	✓	✓
Display, save and print the status of the system	✓	✓
Firmware update	✓	✓
Set emergency close button from jog-switch mode to dead-man mode	✓	✓
Set next service and maintenance date (password protected)	--	✓
Set switch-on delay time for wind sensor	--	✓
Set switch-off delay time for wind sensor	--	✓
Disable retriggering of drive lines in alarm mode	--	✓
Active / disable manual breakglass unit lines (HSE)	--	✓
Active / disable smoke detector lines	--	✓
Enable smoke detector line input to be controlled by fire alarm systems "FAS"	--	✓
Set automatic switch-off time for drive lines	--	✓
EMERGENCY-CLOSE button while the smoke detector is active / disable	--	✓
Set drive running direction in alarm mode from open to close	--	✓
Set options of relay card REL65 (not in package)	--	✓
Set alarm functions for faults caused by each individual drive line (only 2 drive line version)	--	✓
Reset switch positions to the status before the weather control were activated	--	✓
Integration into digital networks with additional plug-in interface modules (LON, KNX)	--	✓
Function natural ventilation control unit	--	✓
Setting operatingmodus (retention magnet / standard drive / pressure gas)	--	✓
SHEV dead-man	--	✓
Ventilation push button setting parallel operation	--	✓
Maintenance timer adjust	--	✓
OPEN case of line failure	--	✓
Activate with Reset button EMERGENCY-CLOSE	--	✓
Configure Content collective fault	--	✓



### CAPTION

①	Output for drive line 1, 24 V DC for smoke and heat exhausting and natural ventilation
②	Input for ventilation line 1 (max. 10 vent buttons)
③	Output for drive line 2 (only for EMB 7300 5 A – 0102; 10 A – 0102; 20 A – 0102)
④	Input for ventilation line 2 (max. 10 vent buttons) (only for EMB 7300 5 A – 0102; 10 A – 0102; 20 A – 0102)
⑤	Housing of control unit with or without integrated break-glass unit and ventilation button
⑥	Connections for wind and rain sensor (disabled in case of alarm and power loss)
⑦	Input for smoke detectors (max. 10)
⑧	Input for signal from external fire alarm system (alternative connection)
⑨	Input for break-glass units (HSE – max. 10)
⑩	Port for network integration (requires additional module)
⑪	Output for signal transduction 1 (plug-in module REL65 required)
⑫	Output for signal transduction 2 (plug-in module REL65 required)
	----- only available for EMB 7300 5 A – 0102; 10 A – 0102; 20 A – 0102

[www.aumueller-gmbh.de](http://www.aumueller-gmbh.de)

AUMÜLLER AUMATIC GMBH  
 Gemeindewald 11  
 86672 Thierhaupten

Tel. +49 8271 8185-0  
 Fax +49 8271 8185-250  
 info@aumueller-gmbh.de